

Service  
Service  
**Service**



# Service Manual

## TABLE OF CONTENTS

	Page
Technical Specifications .....	1-2
Safety Instruction, Warning & Notes .....	1-3
QSG & DFU Instruction .....	2
Mechanical and Dismantling Instructions .....	3
Software Version & Upgrades, Region Code Change .....	4
Trouble Shooting Chart .....	5
Set Wiring Diagram .....	6
Electrical Diagrams and PCB layouts .....	7
Set Mechanical Exploded view & Parts List .....	8
Revision List .....	9

© Copyright 2009 Philips Consumer Electronics B.V. Eindhoven, The Netherlands  
All rights reserved. No part of this publication may be reproduced, stored in a retrieval system or transmitted, in any form or by any means, electronic, mechanical, photocopying, or otherwise without the prior permission of Philips.

Published by SL0938 Service Audio

Printed in The Netherlands

Subject to modification

3141 785 34092



Version 1.2



# PHILIPS

## Specifications



### Note

- Specification and design are subject to change without notice

### Play media

BD-Video, DVD-Video, DVD+R/+RW, DVD-R/-RW, DVD+R/-R DL, CD-R/CD-RW, Audio CD, Video CD/SVCD, Picture CD, MP3-CD, WMA-CD, DivX (Ultra)-CD.

### Accessories supplied

- Remote control and batteries
- Audio/Video cables
- Power cable
- Quick start guide
- User manual
- CD-ROM built in multi-lingual user manual (not available for UK version)

### Video

- Signal system: PAL / NTSC
- Composite video output: 1 Vp-p (75 ohm)
- Component video output: 480/576i, 480/576p, 720p, 1080i
  - Y: 1 Vp-p (75 ohm)
  - Pb: 0.7 V-pp (75 ohm)
  - Pr: 0.7 V-pp (75 ohm)
- HDMI output 480p, 576p, 720p, 1080i, 1080p, 1080p24

### Audio

- 2 Channel analog output
  - Audio Front L + R : 2 Vrms (> 1 kohm)
- Digital output: 0.5 Vp-p (75 ohm)
  - Coaxial
- HDMI output
- Sampling frequency:
  - MP3: 32 kHz, 44.1 kHz, 48 kHz
  - WMA: 44.1 kHz, 48 kHz
- Constant bit rate:
  - MP3: 112 kbps - 320 kbps
  - WMA: 48 kbps - 192 kbps

### USB

- As additional memory for software updates and BD-Live bonus contents. Not for media play.

### Main unit

- Power supply rating
  - Europe: 220~240V ~AC, ~50 Hz
  - Russia: 220~230V ~AC, ~50 Hz
  - Asia Pacific: 110~240V ~AC, 50~60 Hz
  - Latin America: 110~240V ~AC, 50~60 Hz
  - China: 110~240V ~AC, ~50 Hz
- Power consumption: 25W
- Power consumption in standby mode: 0.25W
- Dimensions (w x h x d): 435 x 62 x 237 (mm)
- Net Weight: 2.5 kg

### Laser Specification

- Laser Type:
  - BD Laser Diode: InGaN/AlGaIn
  - DVD Laser Diode: InGaAlP
  - CD Laser Diode: AlGaAs
- Wave length:
  - BD: 405 +5nm/-5nm
  - DVD: 650 +13nm/-10nm
  - CD: 790 +15nm/-15nm
- Output power:
  - BD: Max. ratings: 20mW
  - DVD: Max. ratings: 7mW
  - CD: Max. ratings: 7mW

## Safety instruction, Warning & Notes

### Safety instruction

---

#### 1. General safety

Safety regulations require that during a repair:

- . Connect the unit to the mains via an isolation transformer.
- . Replace safety components indicated by the symbol ▲, only by components identical to the original ones. Any other component substitution (other than original type) may increase risk of fire or electrical shock hazard.

Safety regulations require that after a repair, you must return the unit in its original condition. Pay, in particular, attention to the following points:

- . Route the wires/cables correctly, and fix them with the mounted cable clamps.
- . Check the insulation of the mains lead for external damage.
- . Check the electrical DC resistance between the mains plug and the secondary side:
  - 1) Unplug the mains cord, and connect a wire between the two pins of the mains plug.
  - 2) Set the mains switch the "on" position (keep the mains cord unplug).
  - 3) Measure the resistance value between the mains plug and the front panel, controls, and chassis bottom.
  - 4) Repair or correct unit when the resistance measurement is less than 1M $\Omega$ .
  - 5) Verify this, before you return the unit to the customer/user (ref. UL-standard no. 1492).
  - 6) Switch the unit "off", and remove the wire between the two pins of the mains plug.

#### 2.Laser safety

This unit employs a laser. Only qualified service personnel may remove the cover, or attempt to service this device (due to possible eye injury).

Laser device unit

Type	: Semiconductor laser GaAlAs
Wavelength	: 650nm (DVD)
	: 780nm (VCD/CD)
Output power	: 7mW (DVD)
	: 10mW (DVD /CD)

Beam divergence: 60 degree

Note: Use of controls or adjustments or performance of procedure other than those specified herein, may result in hazardous radiation exposure. Avoid direct exposure to beam.

## Warning

---

### 1. General

. All ICs and many other semiconductors are susceptible to electrostatic discharges (ESD). Careless handling during repair can reduce life drastically. Make sure that, during repair, you are at the same potential as the mass of the set by a wristband with resistance. Keep components and tools at this same potential. Available ESD protection equipment:

1) Complete kit ESD3 (small tablemat, wristband, connection box, extension cable and earth cable)  
4822 310 10671.

2) Wristband tester 4822 344 13999.

. Be careful during measurements in the live voltage section. The primary side of the power supply, including the heat sink, carries live mains voltage when you connect the player to the mains (even when the player is "off!"). It is possible to touch copper tracks and/or components in this unshielded primary area, when you service the player. Service personnel must take precautions to prevent touching this area or components in this area. A "lighting stroke" and a stripe-marked printing on the printed wiring board, indicate the primary side of the power supply.

. Never replace modules, or components, while the unit is "on".

### 2. Laser

. The use of optical instruments with this product, will increase eye hazard.

. Only qualified service personnel may remove the cover or attempt to service this device, due to possible eye injury.

. Repair handling should take place as much as possible with a disc loaded inside the player.

. Text below is placed inside the unit, on the laser cover shield:

**CAUTION: VISIBLE AND INVISIBLE LASER  
RADIATION WHEN OPEN, AVOID EXPOSURE  
TO BEAM.**


Notes: Manufactured under licence from Dolby Laboratories. The double-D symbol is trademarks of Dolby Laboratories, Inc. All rights reserved.

## Notes

### Lead-Free requirement for service

---

#### IDENTIFICATION:

Regardless of special logo (not always indicated) 

One must treat all sets from 1.1.2005 onwards, according next rules.

*Important note: In fact also products a little older can also be treated in this way as long as you avoid mixing solder-alloys (leaded/ lead-free). So best to always use SAC305 and the higher temperatures belong to this.*

Due to lead-free technology some rules have to be respected by the workshop during a repair:

- Use only lead-free solder alloy Philips SAC305 with order code 0622 149 00106. If lead-free solder-paste is required, please contact the manufacturer of your solder-equipment. In general use of solder-paste within workshops should be avoided because paste is not easy to store and to handle.
  - Use only adequate solder tools applicable for lead-free solder alloy. The solder tool must be able
    - To reach at least a solder-temperature of 400°C,
    - To stabilize the adjusted temperature at the solder-tip
    - To exchange solder-tips for different applications.
  - Adjust your solder tool so that a temperature around 360°C – 380°C is reached and stabilized at the solder joint. Heating-time of the solder-joint should not exceed ~ 4 sec. Avoid temperatures above 400°C otherwise wear-out of tips will rise drastically and flux-fluid will be destroyed. To avoid wear-out of tips switch off un-used equipment, or reduce heat.
  - Mix of lead-free solder alloy / parts with leaded solder alloy / parts is possible but PHILIPS recommends strongly to avoid mixed solder alloy types (leaded and lead-free). If one cannot avoid, clean carefully the solder-joint from old solder alloy and re-solder with new solder alloy (SAC305).
- Use only original spare-parts listed in the Service-Manuals. Not listed standard-material (commodities) has to be purchased at external companies.
  - Special information for BGA-ICs:
    - always use the 12nc-recognizable soldering temperature profile of the specific BGA (for de-soldering always use highest lead-free temperature profile, in case of doubt)
    - lead free BGA-ICs will be delivered in so-called 'dry-packaging' (sealed pack including a silica gel pack) to protect the IC against moisture. After opening, dependent of MSL-level seen on indicator-label in the bag, the BGA-IC possibly still has to be baked dry. This will be communicated via AYS-website.  
Do not re-use BGAs at all.
  - For sets produced before 1.1.2005, containing leaded soldering-tin and components, all needed spare-parts will be available till the end of the service-period. For repair of such sets nothing changes.
  - On our website:
    - [www.atyourservice.ce.Philips.com](http://www.atyourservice.ce.Philips.com)**

You find more information to:

BGA-de-/soldering (+ baking instructions)  
Heating-profiles of BGAs and other ICs used in Philips-sets

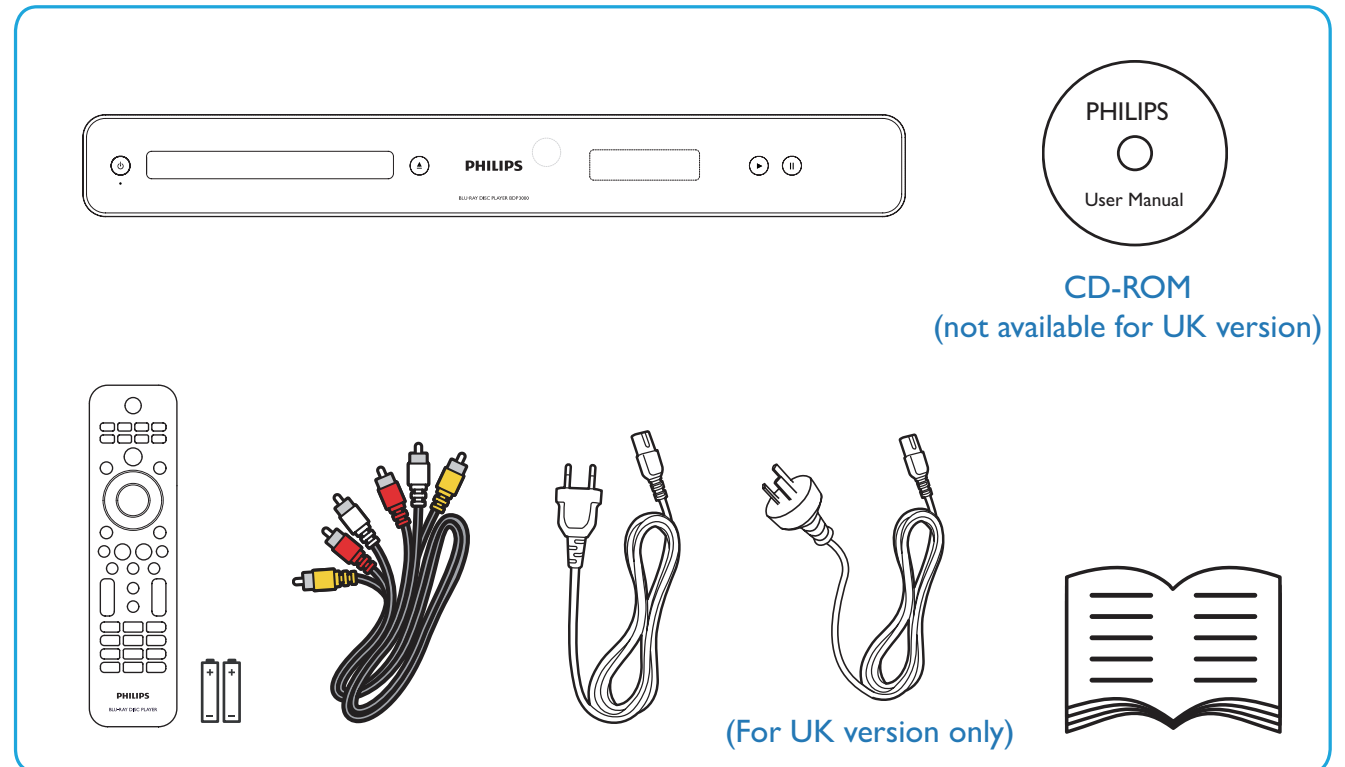
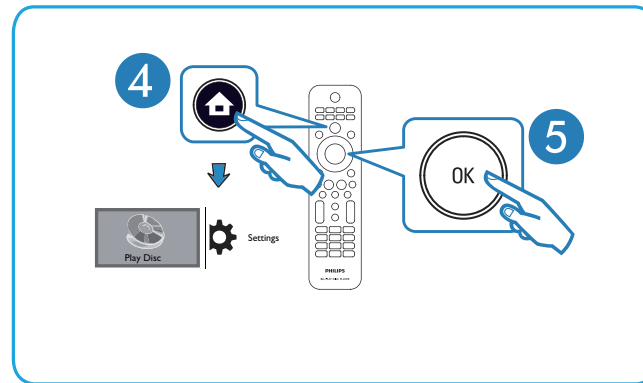
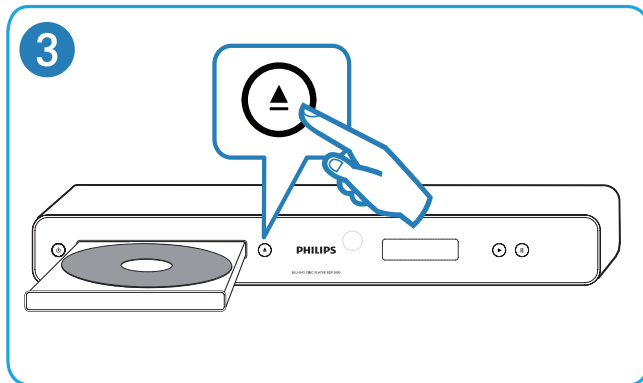
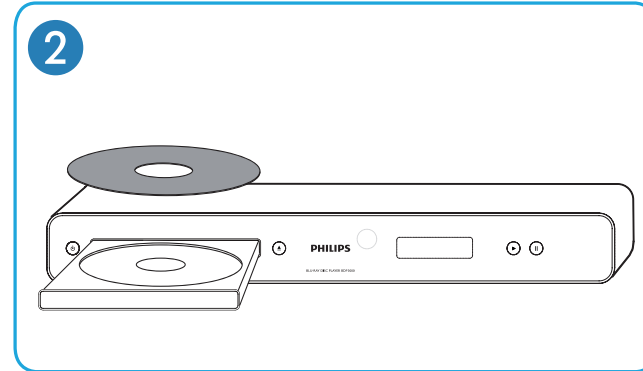
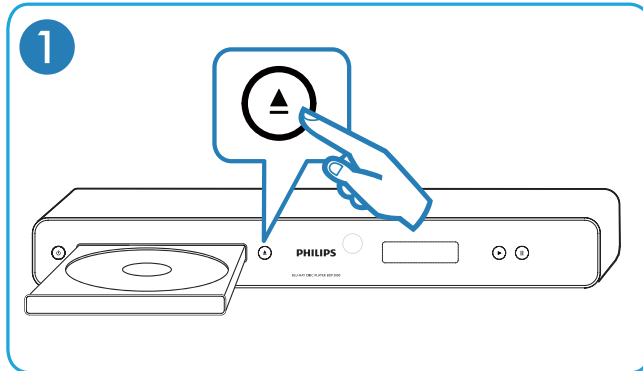
You will find this and more technical information within the "magazine", chapter "workshop news".  
For additional questions please contact your local repair-helpdesk.

# 3

The following excerpt of the Quick Start Guide serves as an introduction to the set. The complete Direction For Use can be download in different languages from Philips Customer Contact & Support site: [www.p4c.philips.com](http://www.p4c.philips.com)



[www.philips.com/welcome](http://www.philips.com/welcome)



© 2009 Koninklijke Philips Electronics N.V.  
All rights reserved

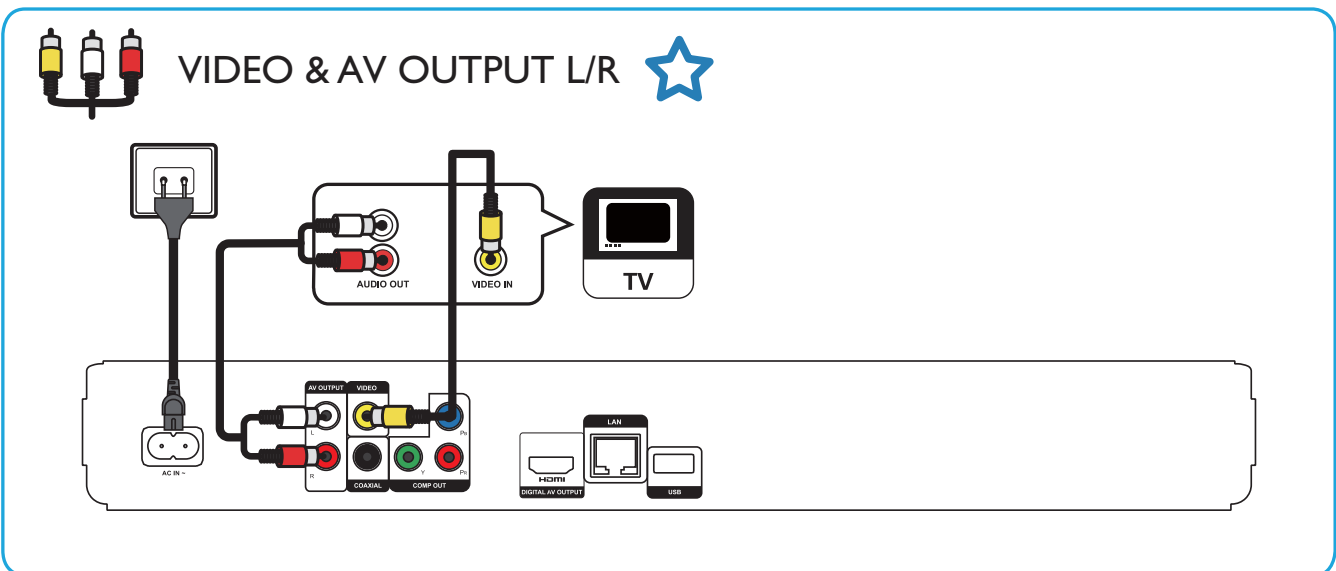
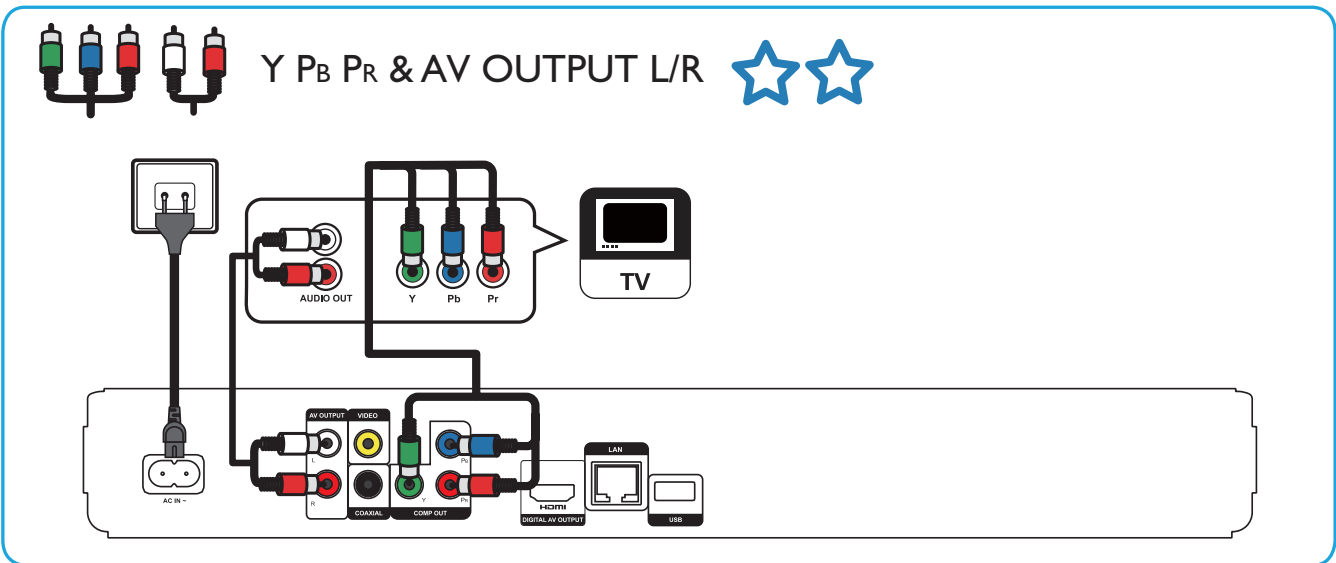
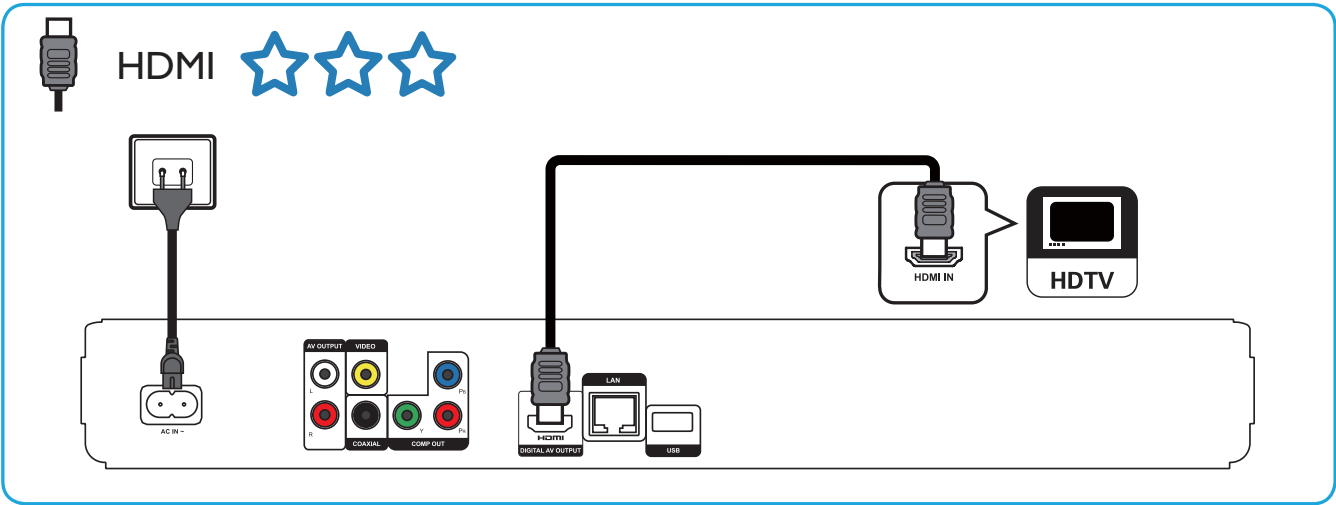


BDP3000\_QSG\_V1.0\_918

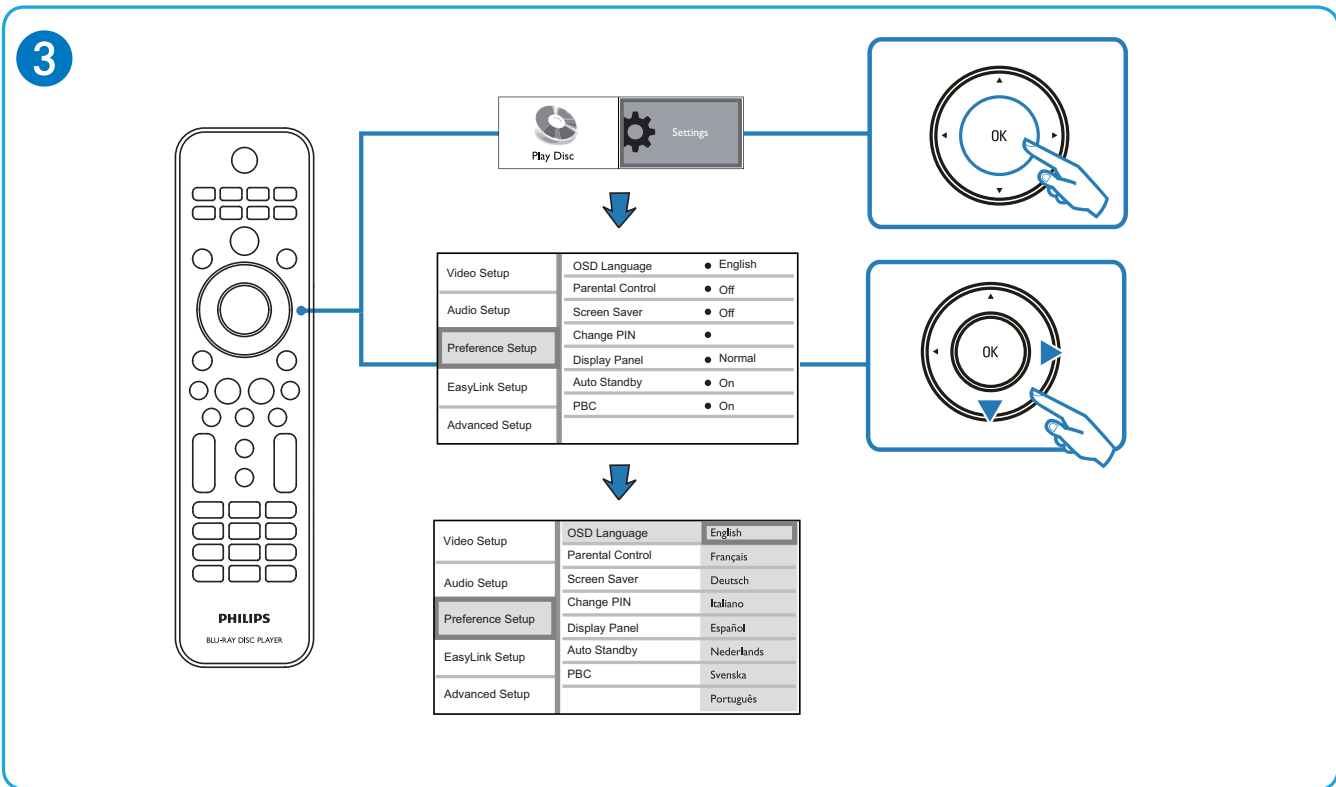
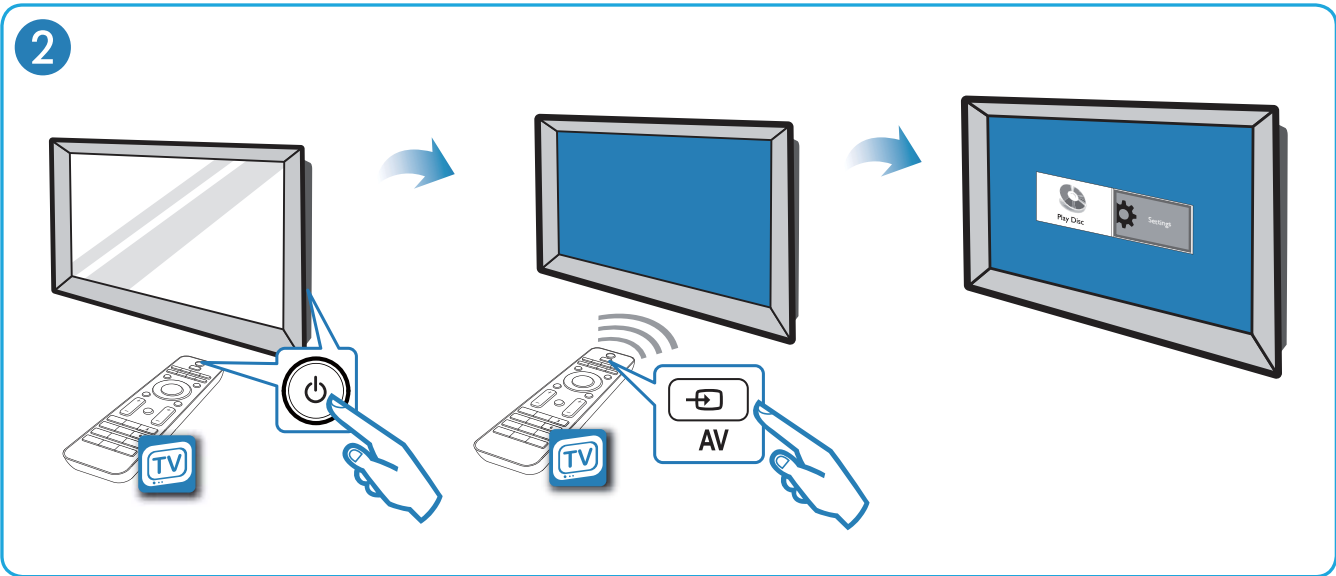
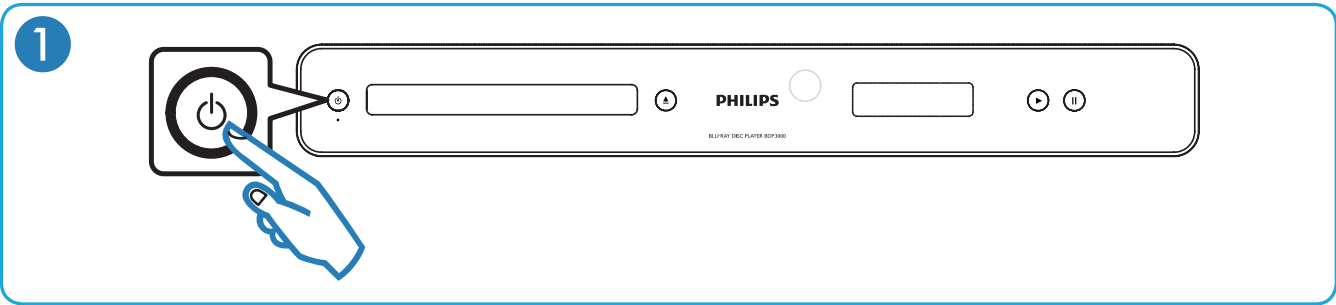
# PHILIPS

Be responsible  
Respect copyrights

# 1



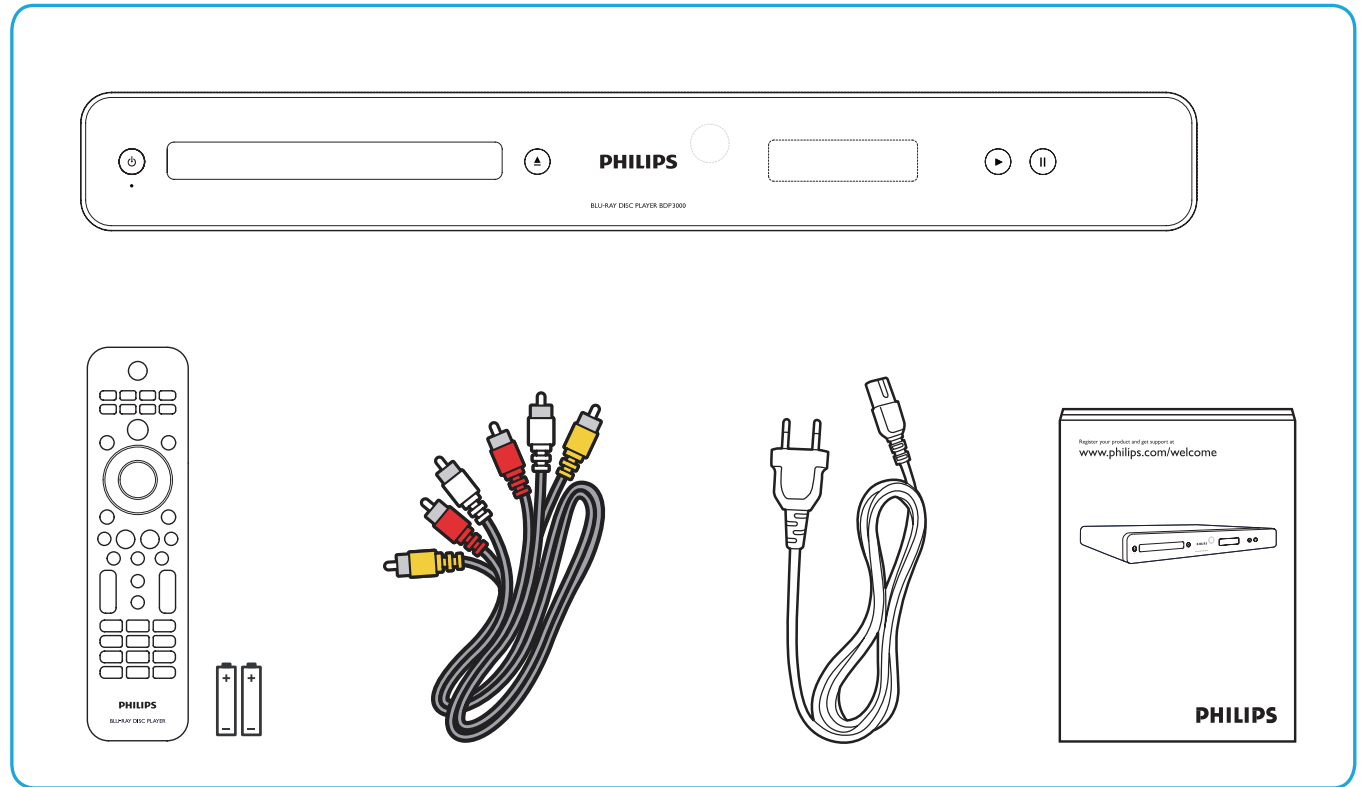
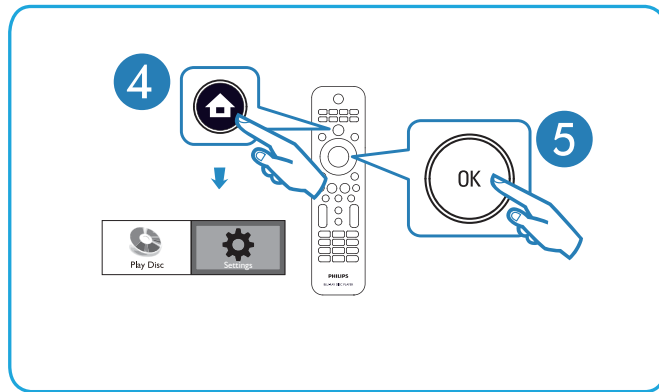
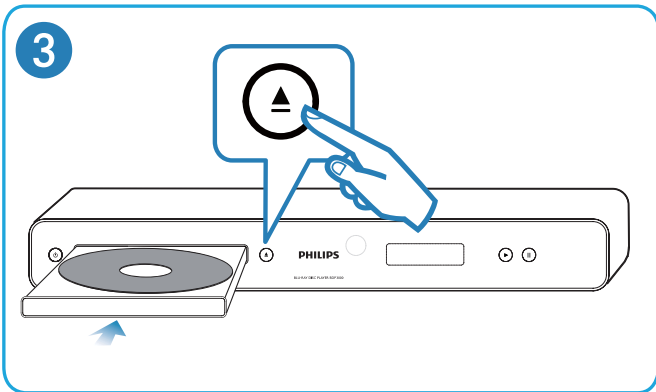
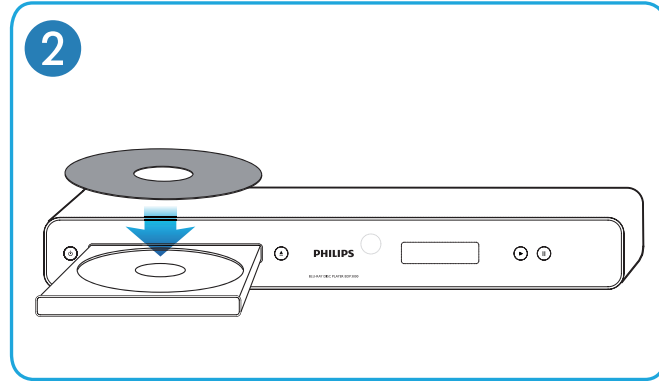
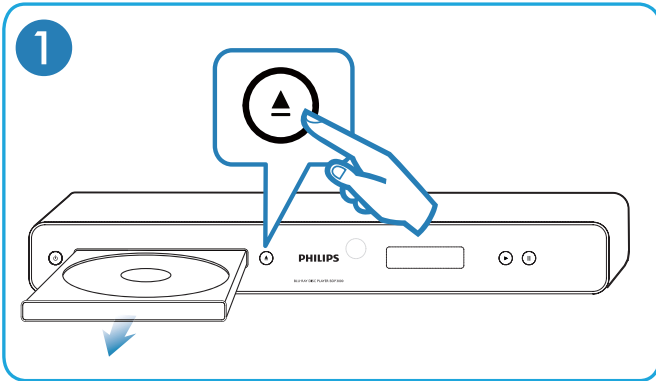
# 2



# 3



[www.philips.com/welcome](http://www.philips.com/welcome)



© 2009 Koninklijke Philips Electronics N.V.  
All rights reserved

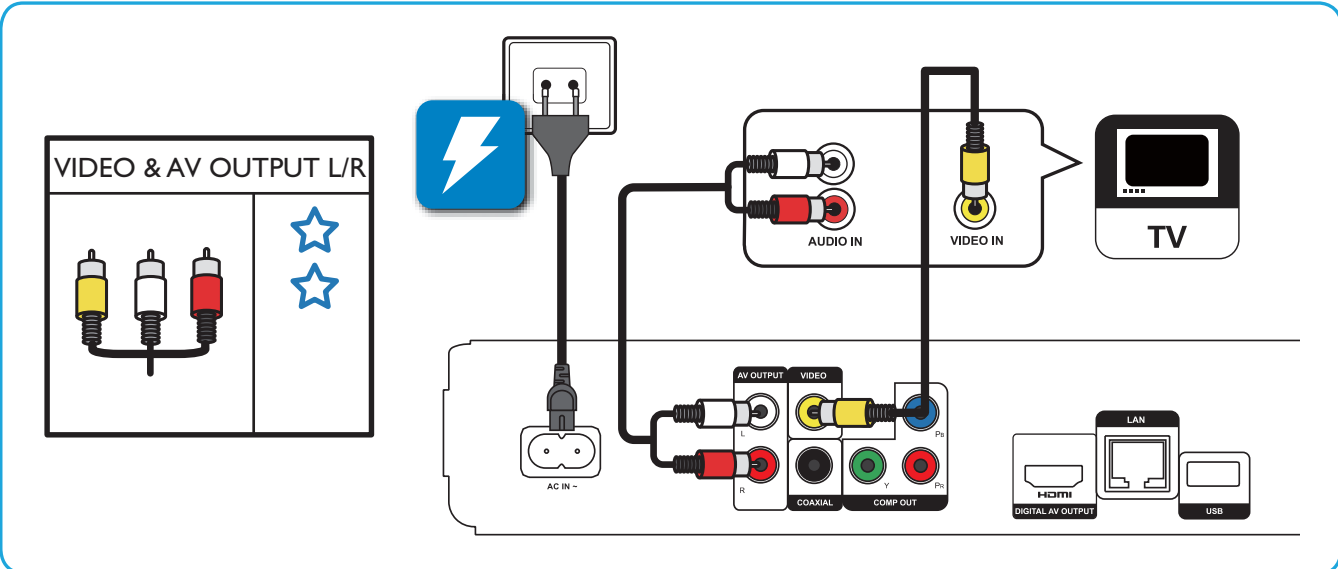
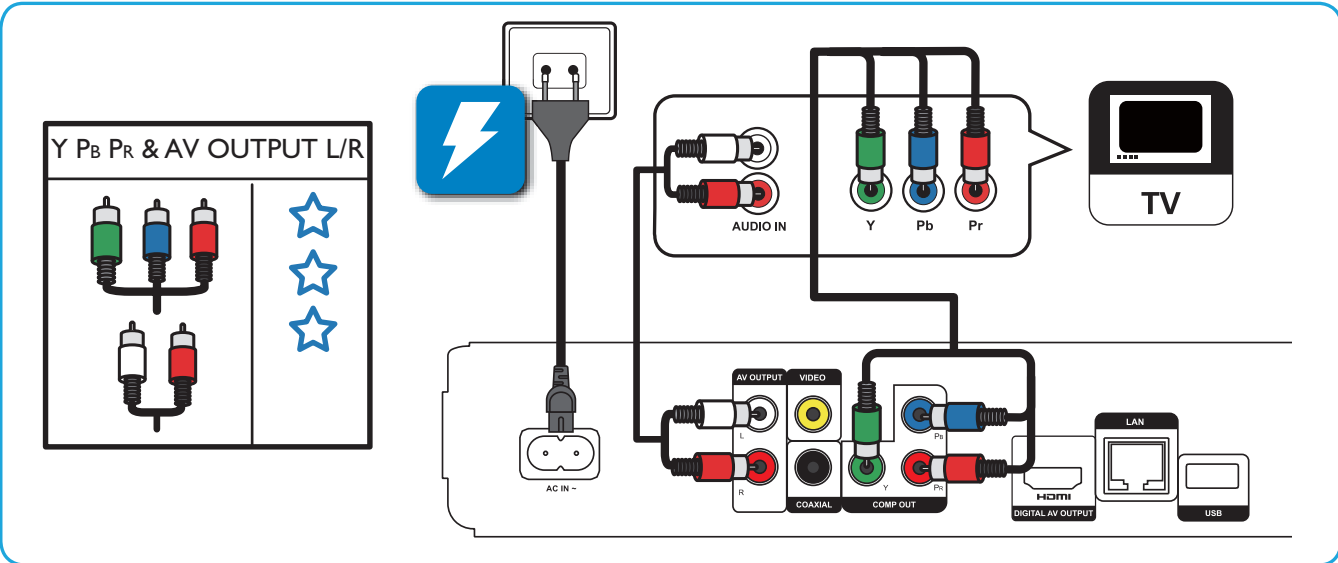
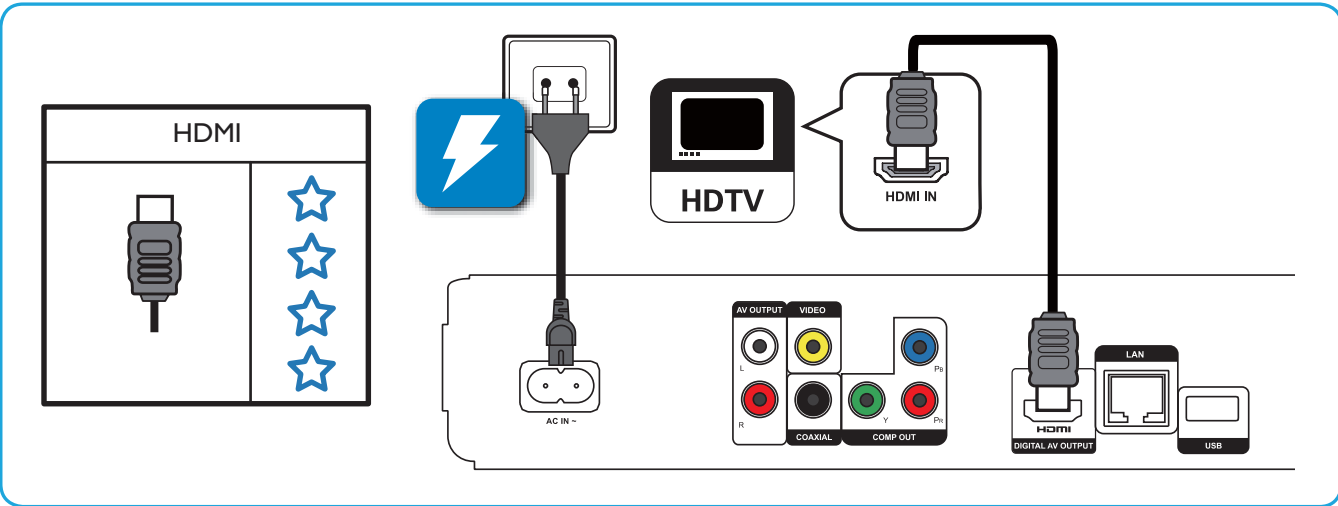


Be responsible  
Respect copyrights

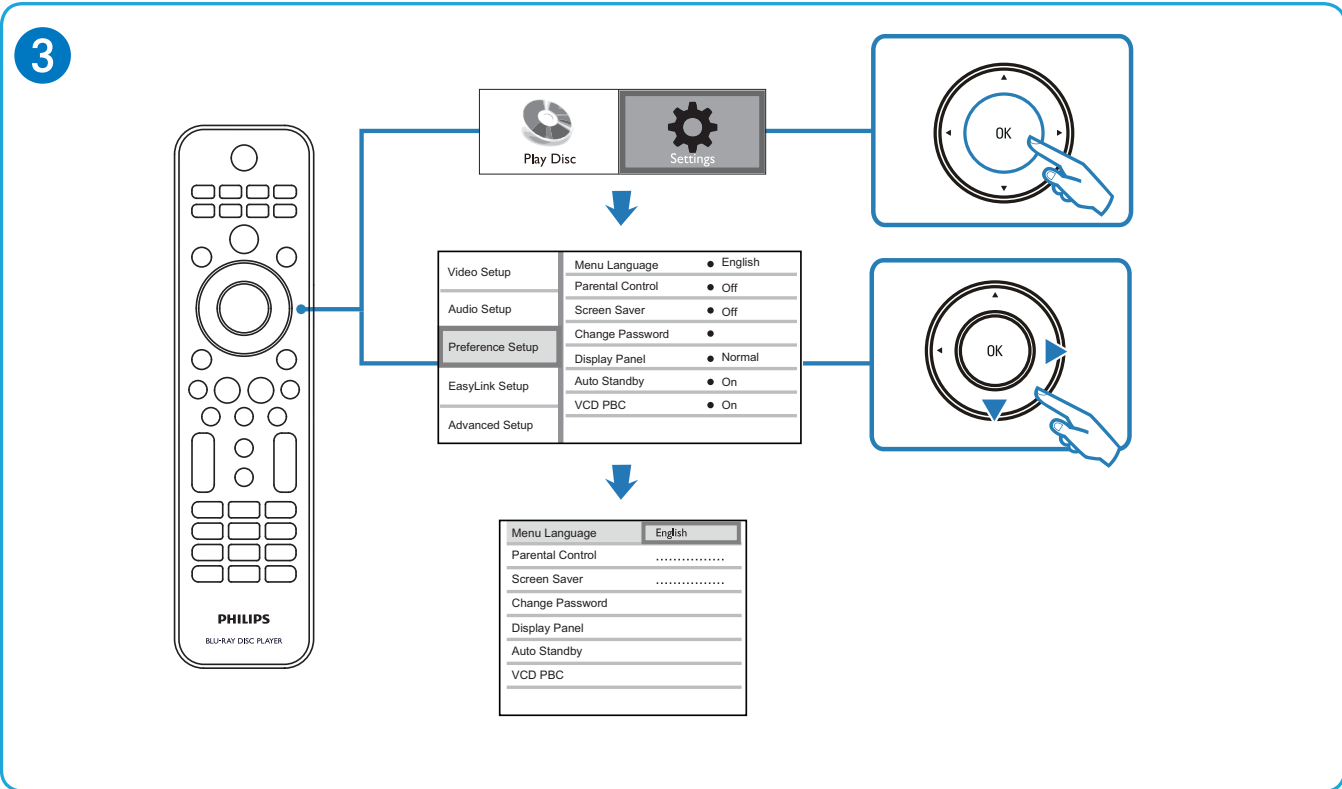
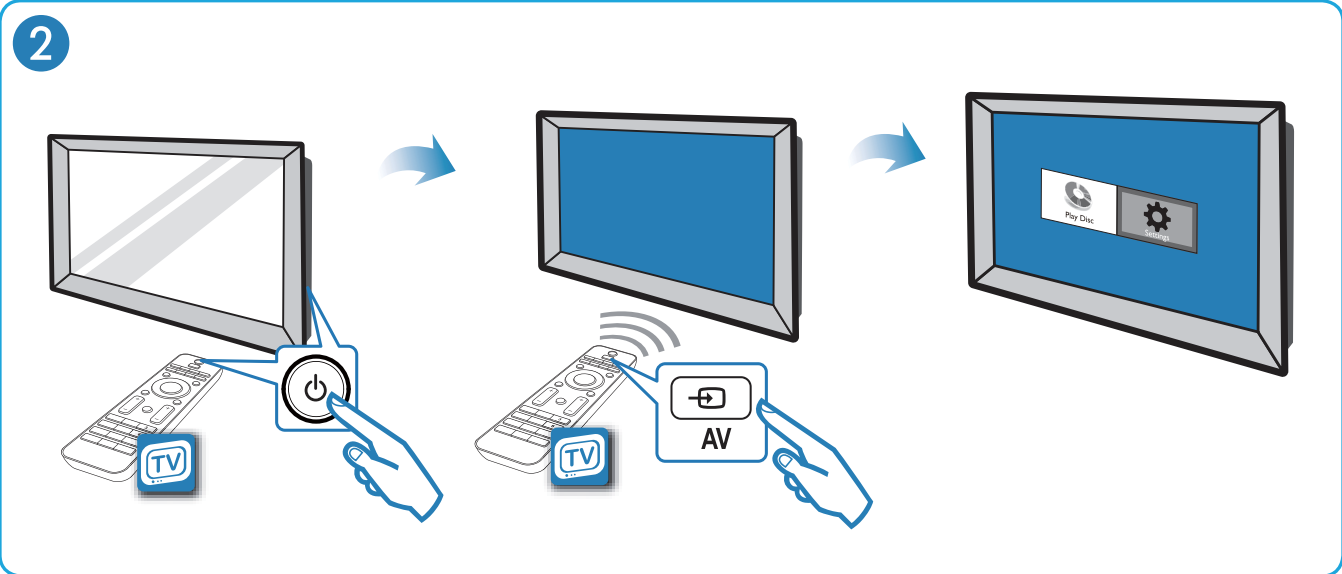
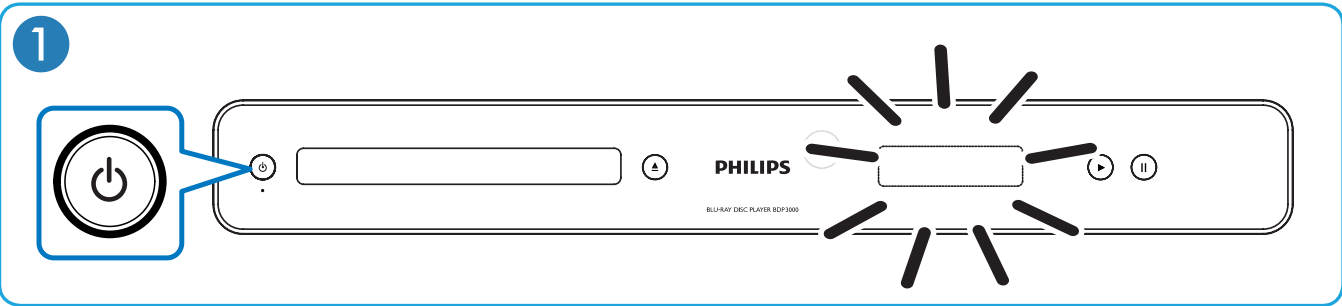
# PHILIPS



# 1

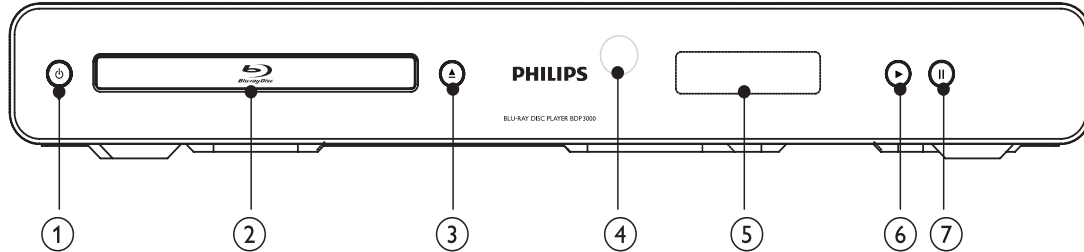







# 2



## Product overview

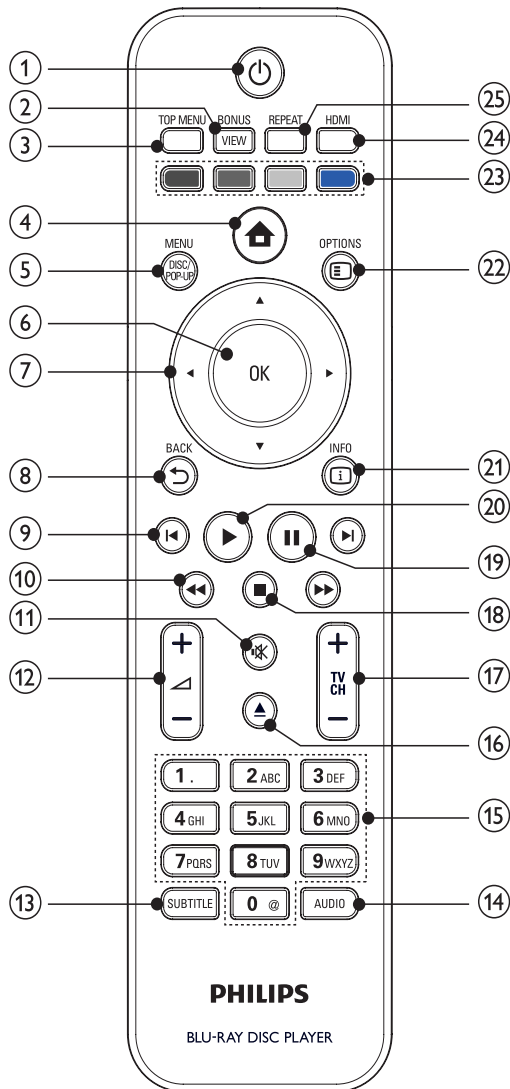
### Main unit



- ① 
- Turn on the disc player or switch to standby mode.
  - When EasyLink is enabled, switch the disc player and all EasyLink devices to standby. Note that you must press and hold  for at least 3 seconds for this to occur.
- ② **Disc compartment**
- ③ 
- Open or close the disc compartment.
- ④ **IR sensor**
- Point the remote control at the IR sensor.
- ⑤ **Display panel**
- ⑥ 
- Start or resume play.
- ⑦ 
- Pause play.
  - Move the paused picture one step forward.

Front panel display	Description
LOADING	Loading a disc.
UNSUPP	The disc is not supported.
BD	Blu-ray disc is recognized.
HDMI ERR	The HDMI video resolution is not supported by TV.
FASTFWD	Fast forward mode.
FASTBWD	Fast reverse mode.
SLOWFWD	Slow forward mode.
SETTINGS	Setup menu is displayed.
HOME	Home menu is displayed.
CHAPTER	Current chapter is in chapter repeat mode.
RESUME	Resume play is possible.
DOLBY D	Dolby Digital audio is being played.
DOLBY HD	Dolby HD audio is being played.
UPGRADE	Software upgrade is in progress.

## Remote control



- ① Turn on the disc player or switch to standby mode.
- When EasyLink is enabled, switch the disc player and all EasyLink devices to standby. Note that you must press and hold for at least 3 seconds for this to occur.
- ② **BONUSVIEW**
- Turn on or off the secondary video in a small screen window during play (applicable only to BD-video that supports the BONUSVIEW or Picture-In-Picture feature).
- ③ **TOP MENU**
- BD:** Display the top menu.
  - DVD:** Display the title menu.
- ④ Access the home menu.

- ⑤ **DISC MENU / POP-UP MENU**
- BD:** Access or exit the pop-up menu.
  - DVD:** Access or exit the disc menu.
- ⑥ **OK**
- Confirm an entry or selection.
- ⑦
- Navigate through the menus.
- ⑧ **BACK**
- Return to a previous display menu.
- ⑨
- Skip to the previous or next title, chapter, or track.
- ⑩
- Search backward or forward.
- ⑪
- Mute volume (applicable only to certain Philips brand TVs).
- ⑫ **+/-**
- Adjust volume (applicable only to certain Philips brand TVs).
- ⑬ **SUBTITLE**
- Select a subtitle language on a disc.
- ⑭ **AUDIO**
- Select an audio language or channel on a disc.
- ⑮ **Alphanumeric buttons**
- Select an item to play.
  - Enter values or letters (via SMS style entry).
- ⑯
- Open or close the disc compartment.
- ⑰ **TV CH +/-**
- Select a TV channel (applicable only to certain Philips brand TVs).
- ⑱
- Stop play.
- ⑲
- Pause play.
  - Move the paused picture one step forward.
- ⑳
- Start or resume play.
- ㉑ **INFO**
- Display the current status or the disc information.
- ㉒ **OPTIONS**
- Access options for the current activity or selection.
- ㉓ **Color buttons**
- BD:** Select tasks or options.
- ㉔ **HDMI**
- Select the video resolution of HDMI output.
- ㉕ **REPEAT**
- Select repeat play or random play.

## Mechanical and Dismantling Instructions

### Dismantling Instruction

Detailed information please refer to the model set.

The following guidelines show how to dismantle the player.

**Step1:** Remove 6 screws around the Top Cover, and then remove the Top Cover (Figure 1).

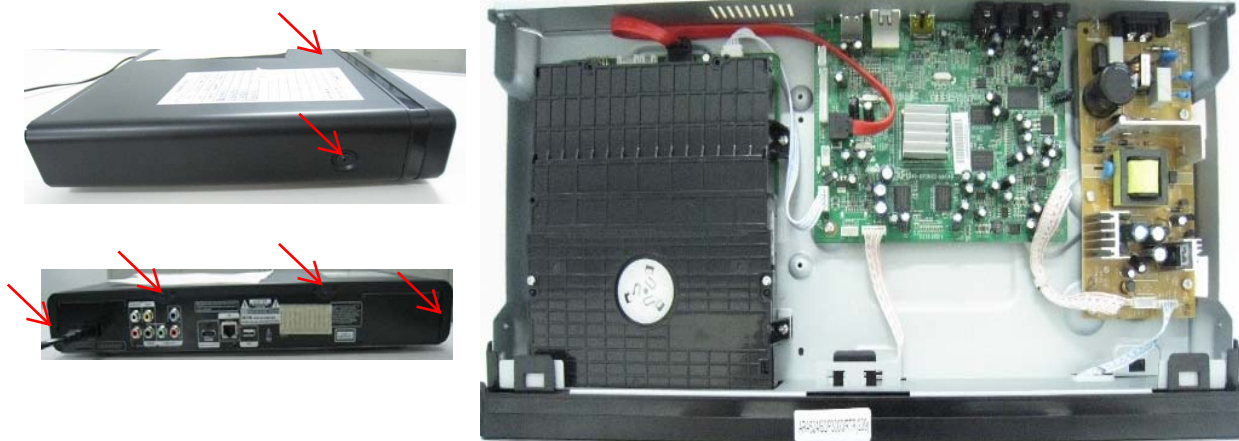


Figure 1

**Step2:** If it is necessary to dismantle Loader or Front Panel, the Front door should be removed first. (Figure 2)

Note: Make sure to operate gently otherwise the guider would be damaged.



Please kindly note that dismantle the front door assembly carefully to avoid damage tray and the front door.

Figure 2

## Mechanical and Dismantling Instructions

### Dismantling Instruction

Detailed information please refer to the model set.

**Step3:** If the tray can't open in normal way, you can make it through the instruction as below (Figure 3).  
Note: Make sure to operate gently otherwise the guider would be damaged.



Figure 3

**Step4:** Dismantling Front Panel, disconnect the connectors (J306, CN502), need release 5 snaps of Front Panel and 2 snaps of bottom cabinet , then gently pull the Panel out from the set. (Figure 4 - Figure 6)

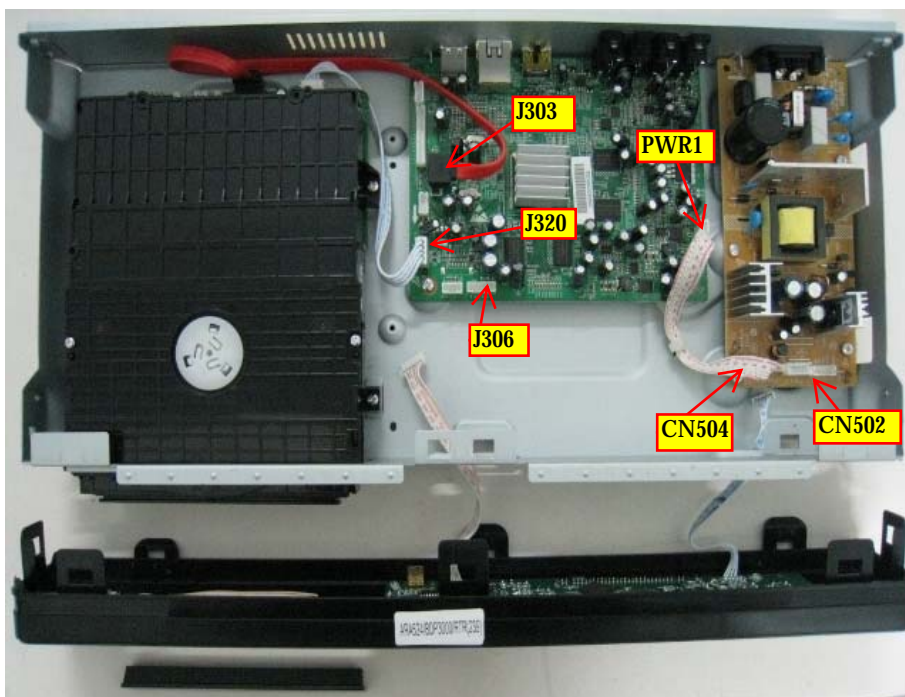


Figure 4



## Mechanical and Dismantling Instructions

### Dismantling Instruction

Detailed information please refer to the model set.

**Step5:** Dismantling Loader, disconnect the 1 connector (J303) aiming in the below figure, and remove 4 screws that connects the loader and the bottom cabinet. (Figure 5)

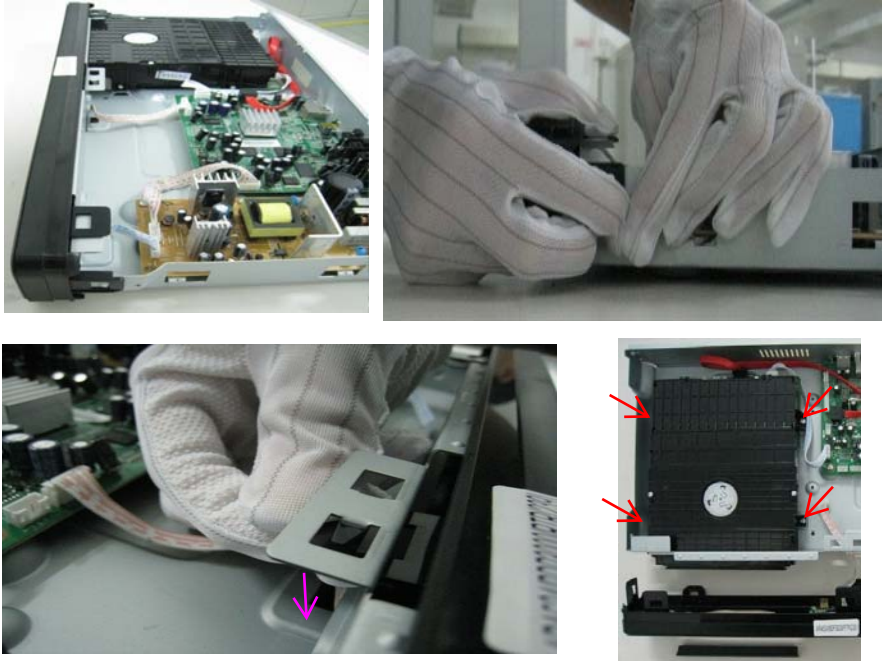


Figure 5

**Step6:** Dismantling Main Board, first disconnect the connector (J320), and then remove 7 screws. (Figure 6)

**Step7:** Disconnect connector (CN504, CN502) and remove 6 screws on Power Board to dismantle the Power Board. (Figure 6)



Figure 6

## Software check and upgrade

### Preparation to upgrade software

- 1) Start the CD burning software & create a folder named "UPG",
- 2) Then copy the Bin file (BDP3XXXXX-XXX-XXXXXX.bin) into it,
- 3) Burn the data onto the blank CD.

### A. Procedure for software upgrade

#### A) Upgrade software via Disc

- 1) Power on the set and insert the prepared Upgrade CDR.

2) The set will start reading disc & response with the following display TV screen:

Now searching for upgrade software!

Please wait...!

Still

- 3) Press <OK> button to confirm, then screen will display :

An upgrade software has been found!

Start upgrade with version:WKXXX.X?

Cancel

Start

- 4) Press Right cursor button to choose "Start", then press <OK>;

5) The software will upgrade and screen will display as below:

Upgrade is ongoing, Please wait...

Please do not unplug or switch off the device.

6) The screen will display as below when upgrading complete:

Upgrade has completed successfully!

Power off after 1s.

Power Off

- 5) Restart the set.

#### B) Upgrade software via network:

- 1) Setup the network connection (See "Getting started">"Set up network").

2) In the Home menu, select <Setting>-<Advanced Setup>-<Software Download>-<Network>.

\* You are prompted to start upgrading processes if upgrade media is detected.

3) Follow the instructions on the TV screen to confirm update operation.

\* Once software update is complete, this player automatically turns off to standby.

4) Disconnect the power cord for a few seconds and connect again to turn on the player.

#### C) Update software via USB Flash Drive:

1) Go to [www.philips.com/support](http://www.philips.com/support) to check if the latest software version is available for this player.

2) Download the software onto a USB flash drive.

3) Insert the USB flash drive to the USB jack of the rear panel.

4) In the Home menu, select <Setting>-<Advanced Setup>-<Software Download>-<USB>.

5) Follow the instructions on the TV screen to confirm update operation.

\* Once software update is complete, this player automatically turns to standby.

6) Disconnect the power cord for a few seconds and connect again to turn on the player.

### B. Read out the software versions to confirm upgrading

- 1) Power on the set and open the tray door.
- 2) Press <Home> button on the remote control.
- 3) Select <Setting>, then press <OK>.
- 4) Select <Advanced Setup>, press right cursor to choose <Version Info.>, then press <OK>, the software version and other information will display on the TV screen as below:

Mainboard:XXX.XXX

Driver:XXXXXX XXXXXXXX

BDP3XXX

<http://www.philips.com/support>

MAC:XX-XX-XX-XX-XX-XX

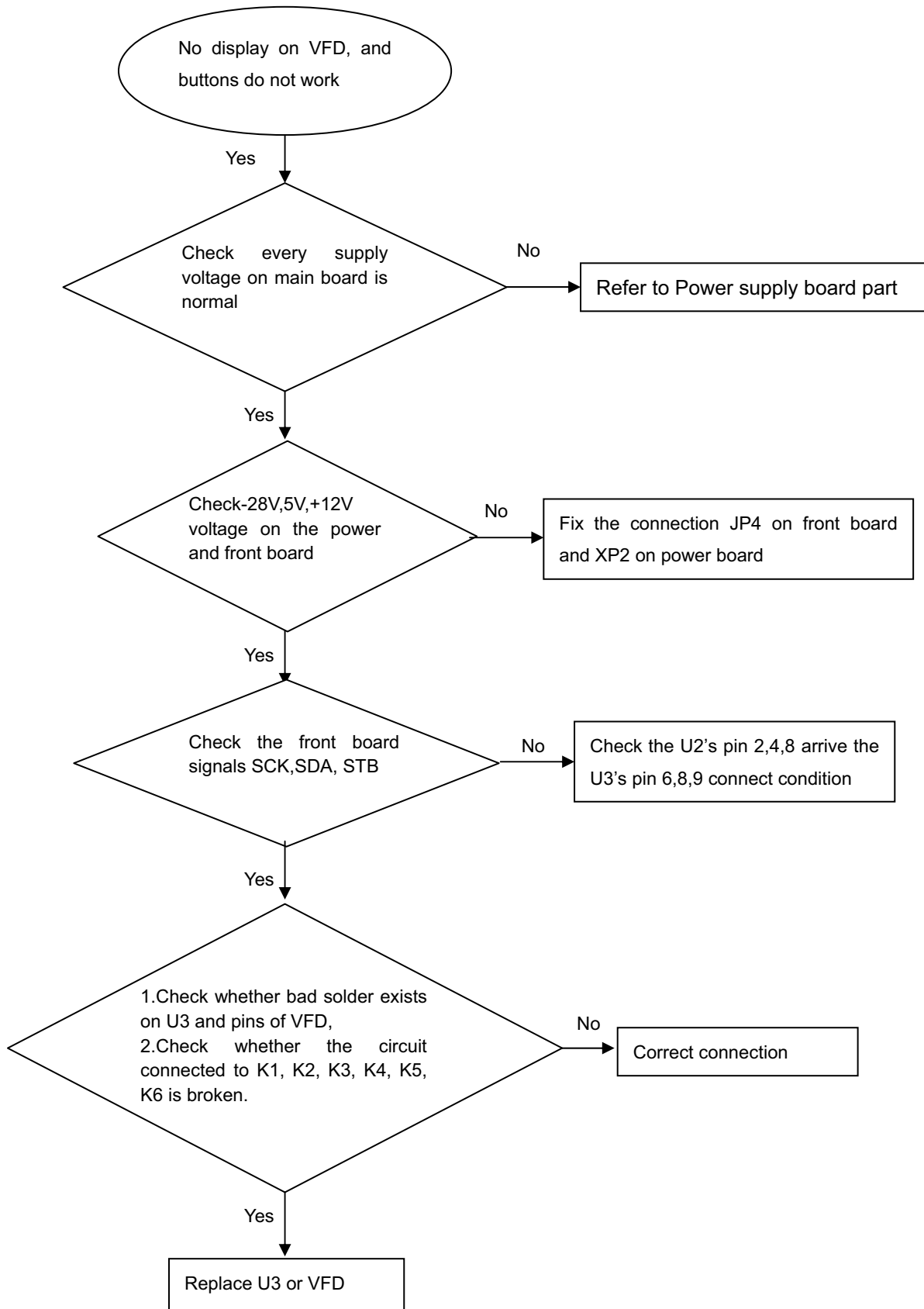
Caution: The set must not be power off during upgrading, otherwise the Main board will be damaged entirely.

## DVD Region code change

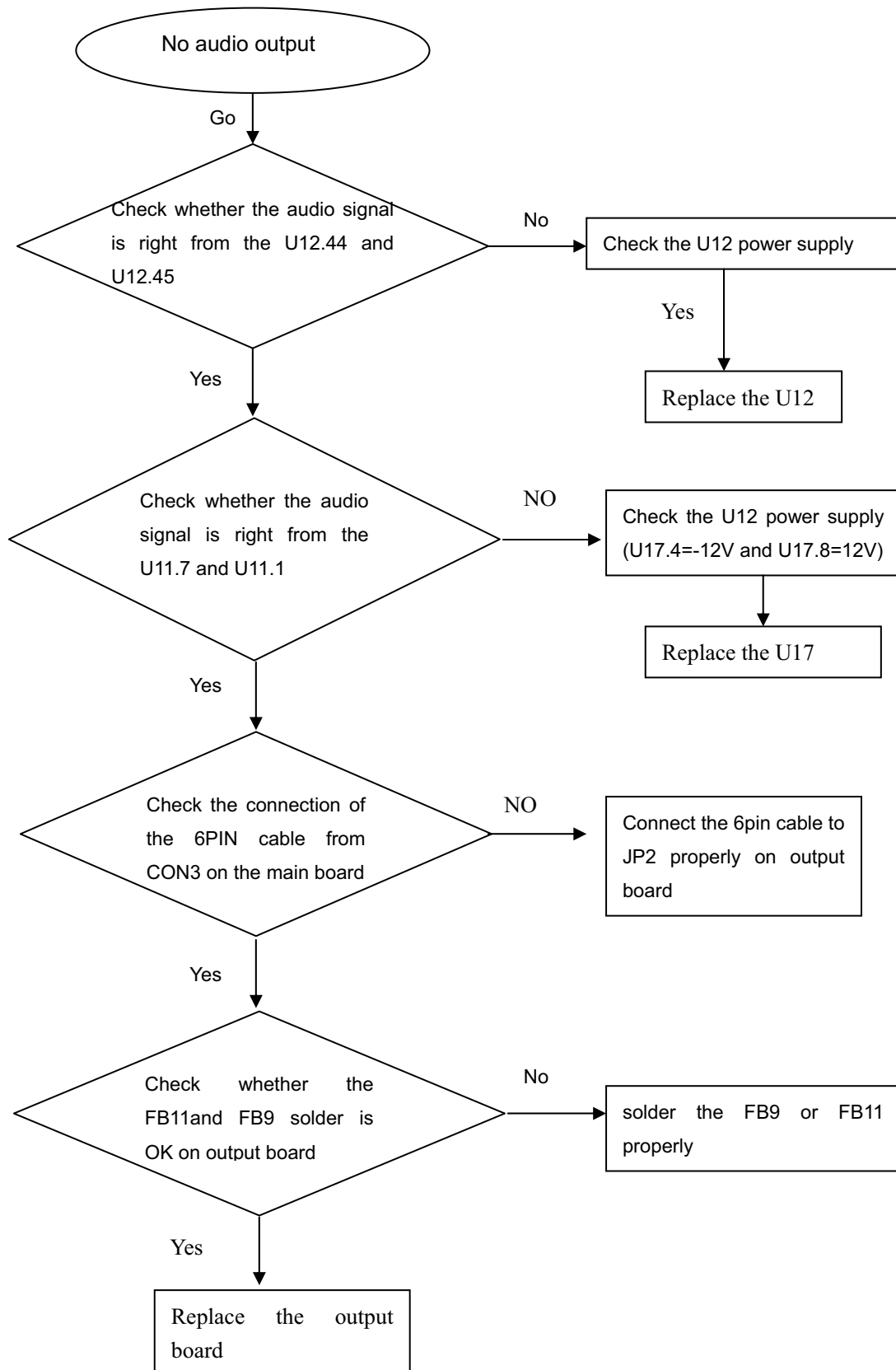
- 1).Power on the set and keep no disc.
- 2).In the Home menu, press <6><6><6><6> button.
- 3).Input below new region number by the remote control, then it will change after restart the player.

Number	Region
1211	2
1361	3
1431	4
1521	5
1641	6

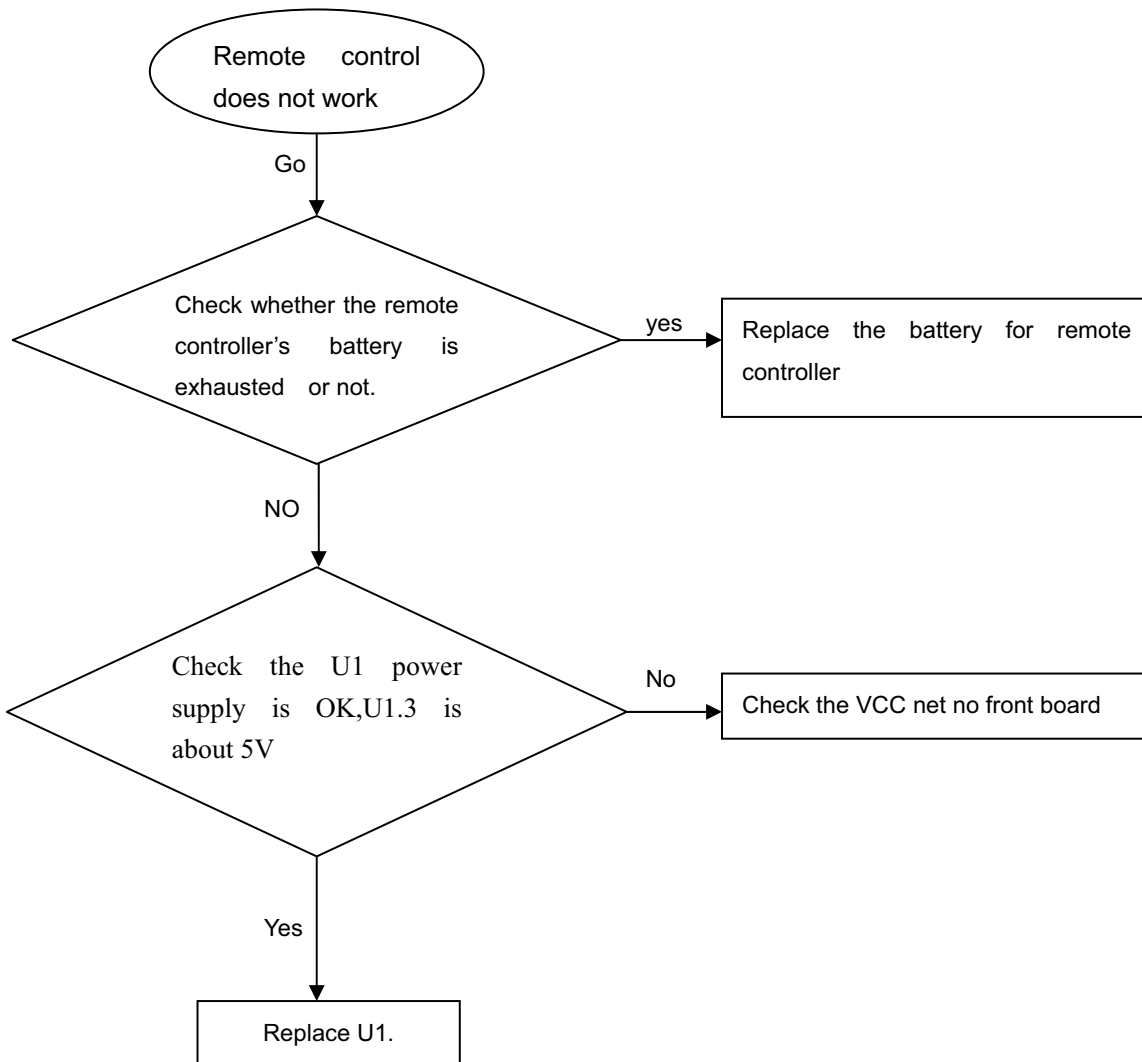
Remark: BD disc region code change only by upgrade software.

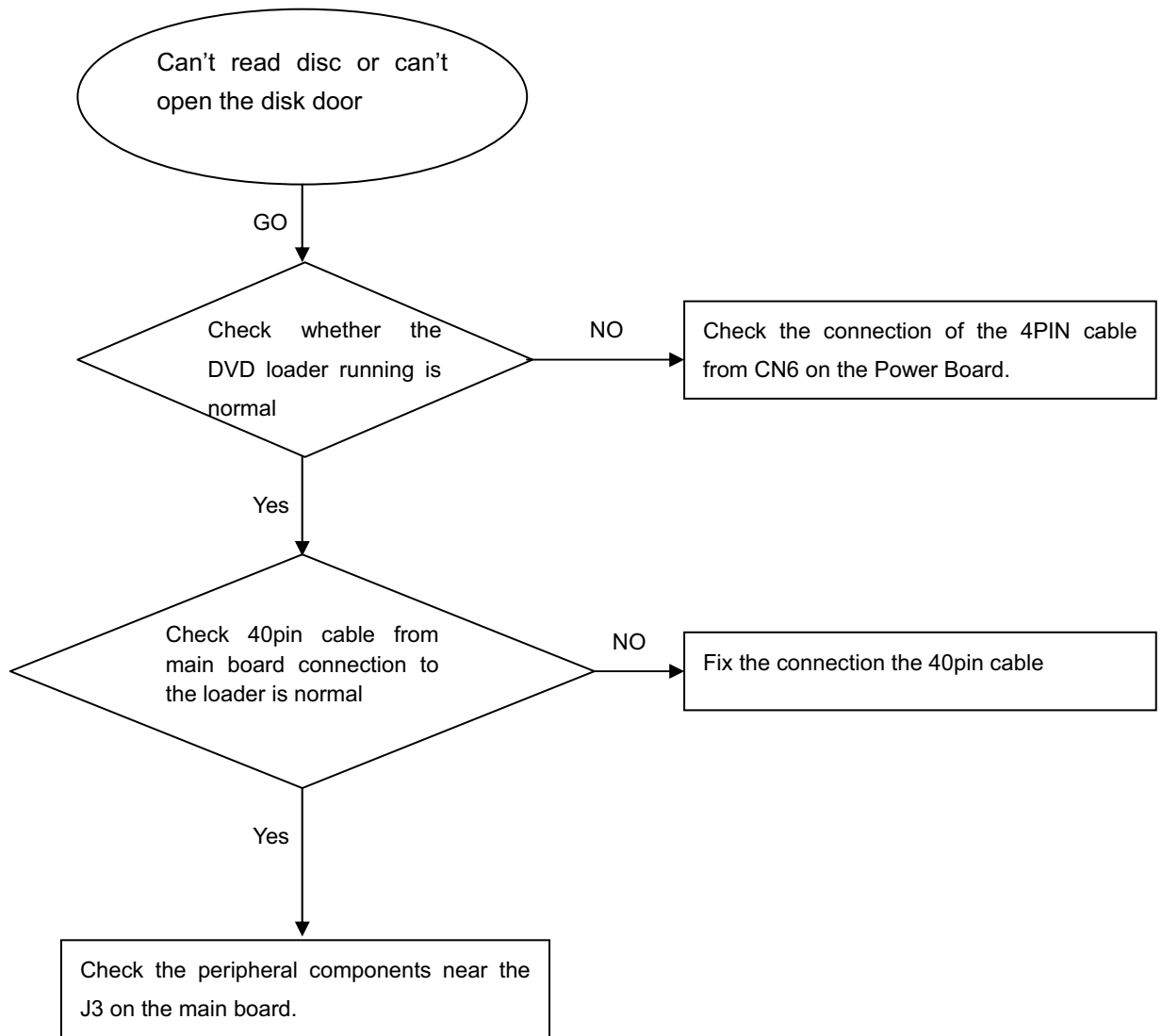
**No display on VFD, and buttons do not work**



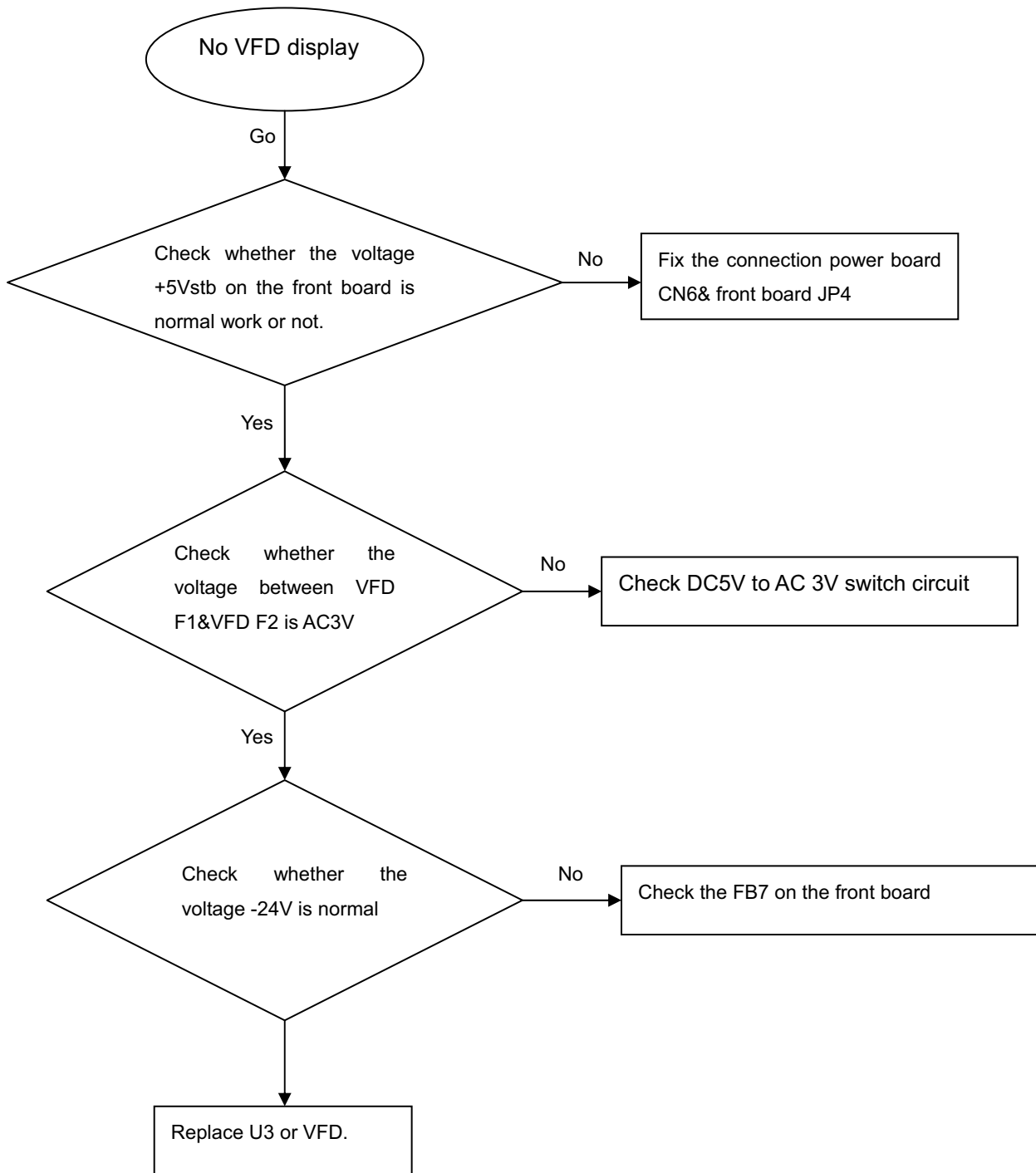
**No audio output**

## Remote control does not work

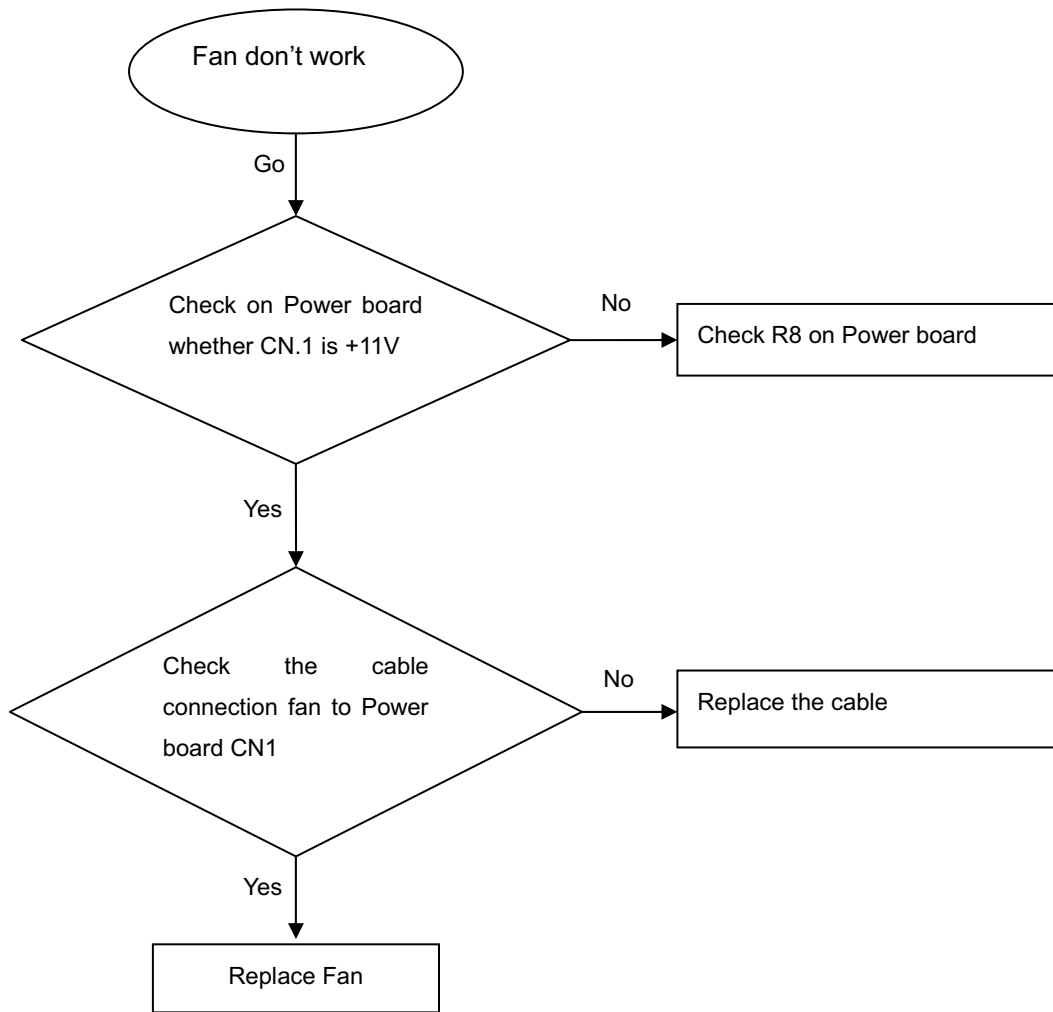


**Can't read disc or can't open the disk door**

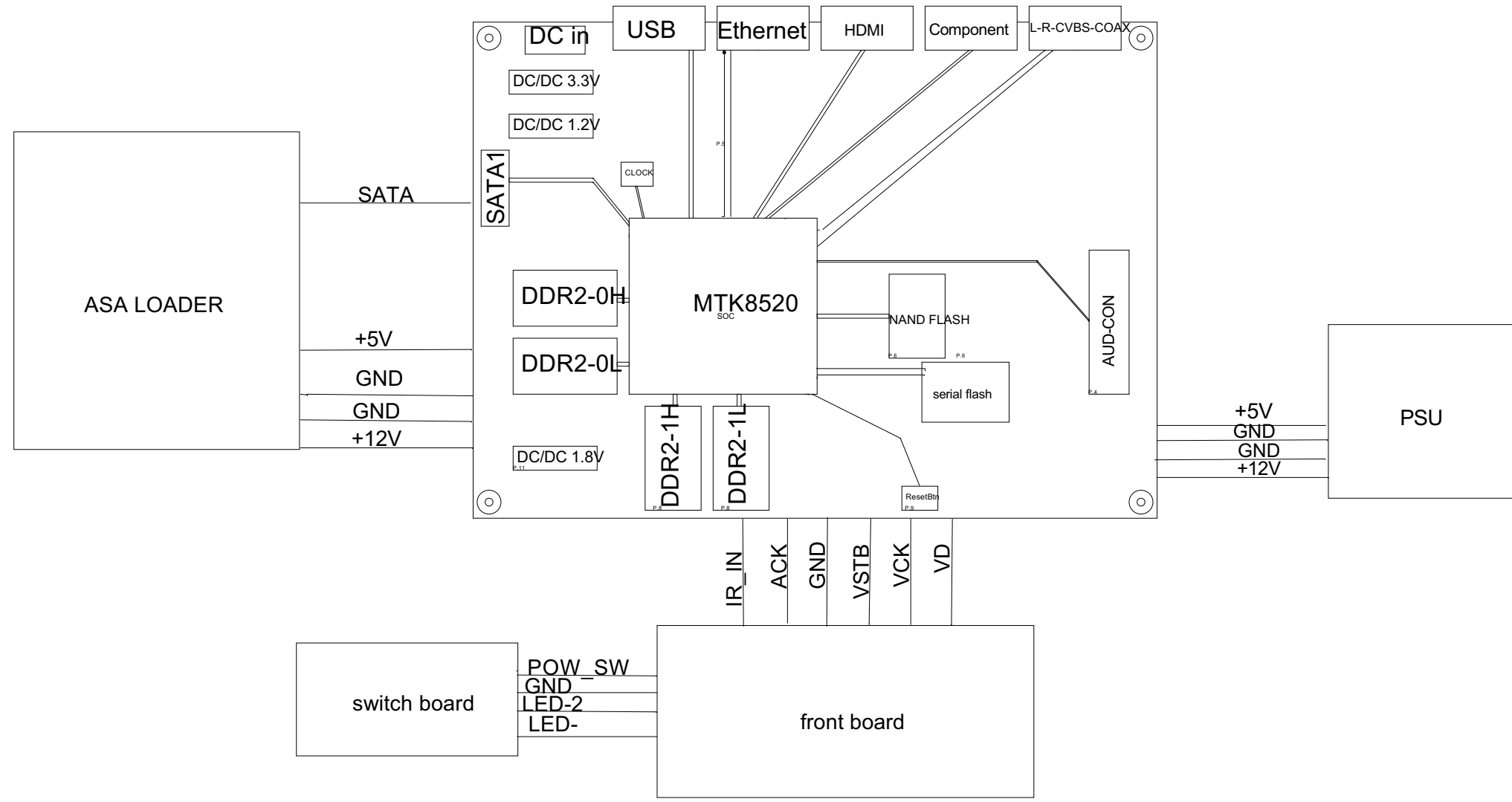
No VFD display



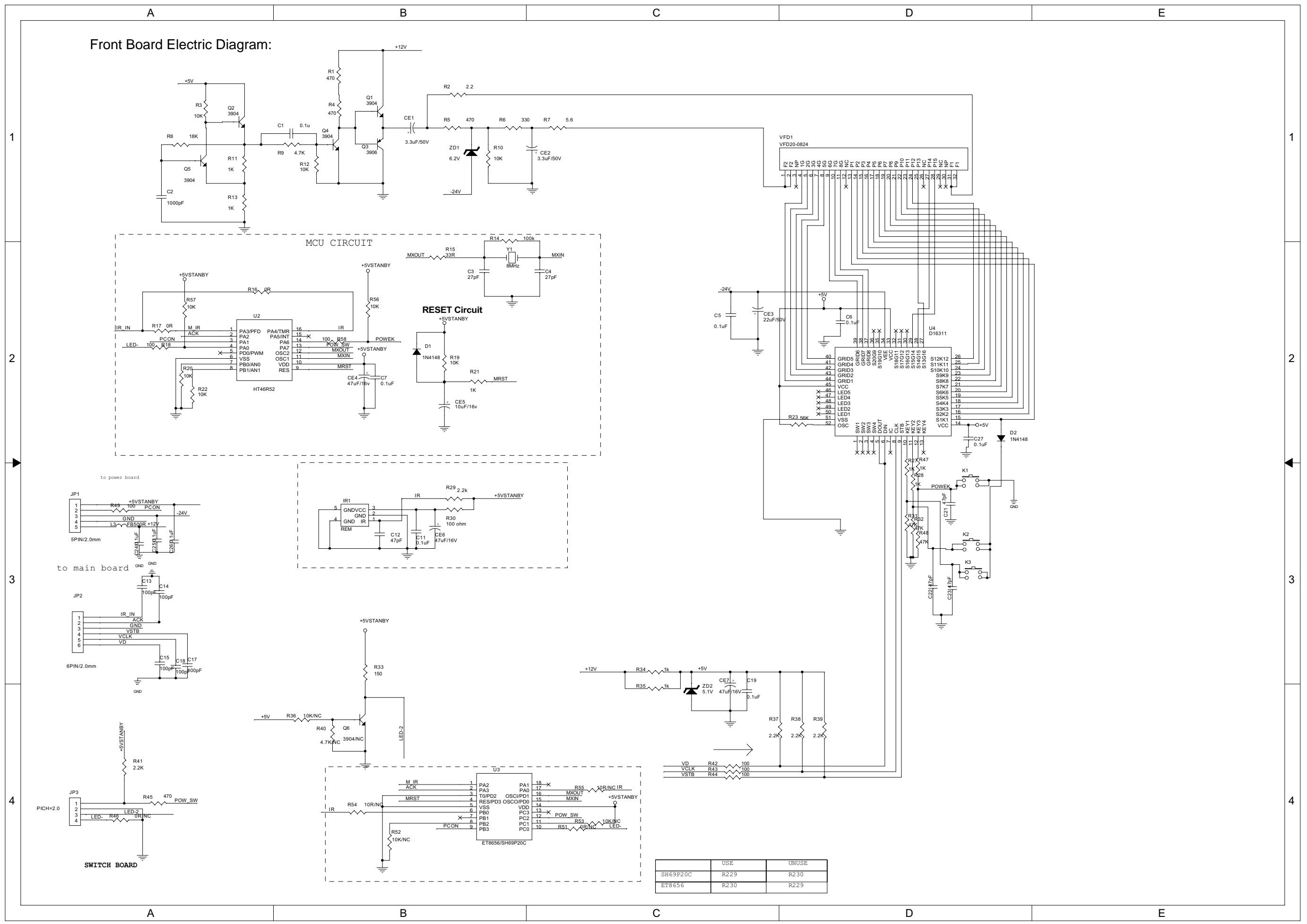
Fan don't work



# BDP3000 Wiring Diagram



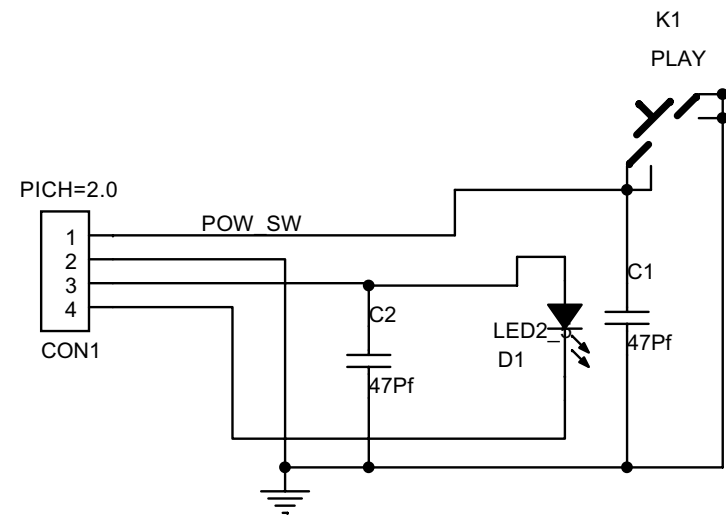
Front Board Electric Diagram:



	USE	UNUSE
SH69P20C	R229	R230
ET8656	R230	R229

A B C D E

Switch Board Electric Diagram:



SWITCH BOARD

1

1

2

2

3

3

4

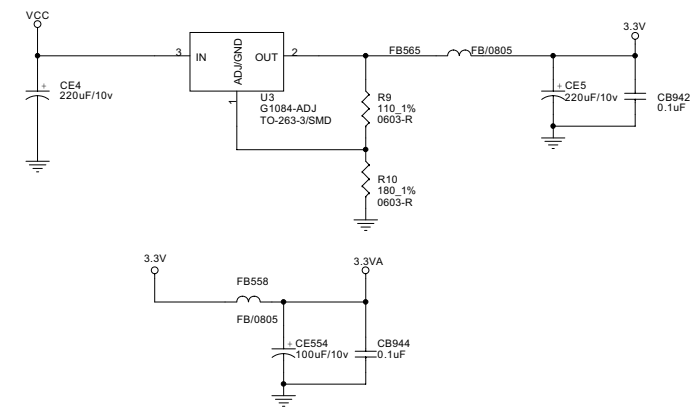
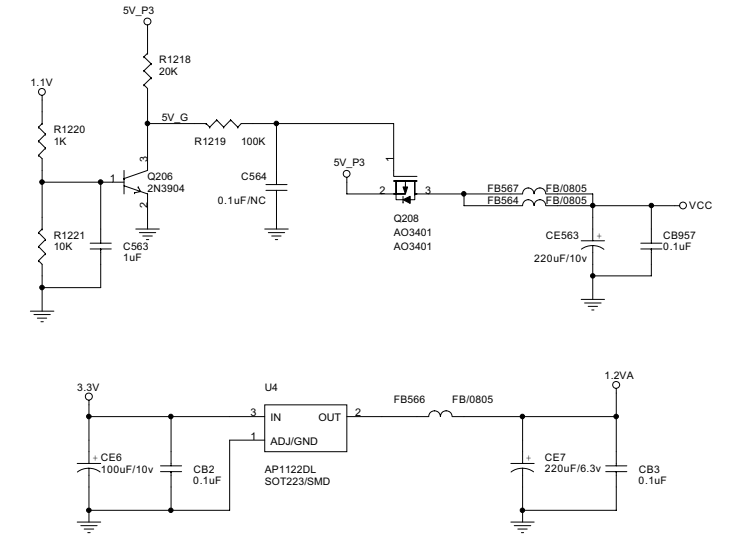
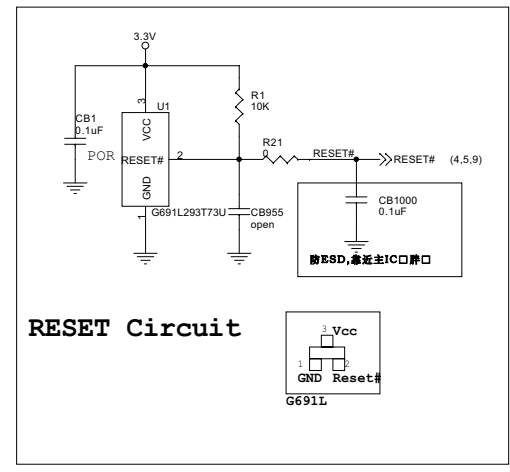
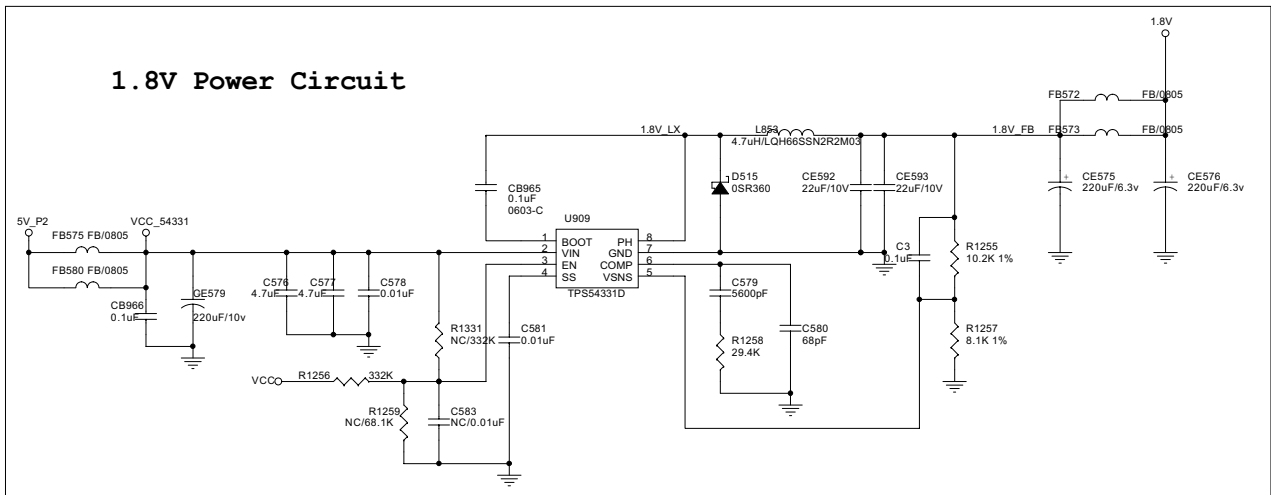
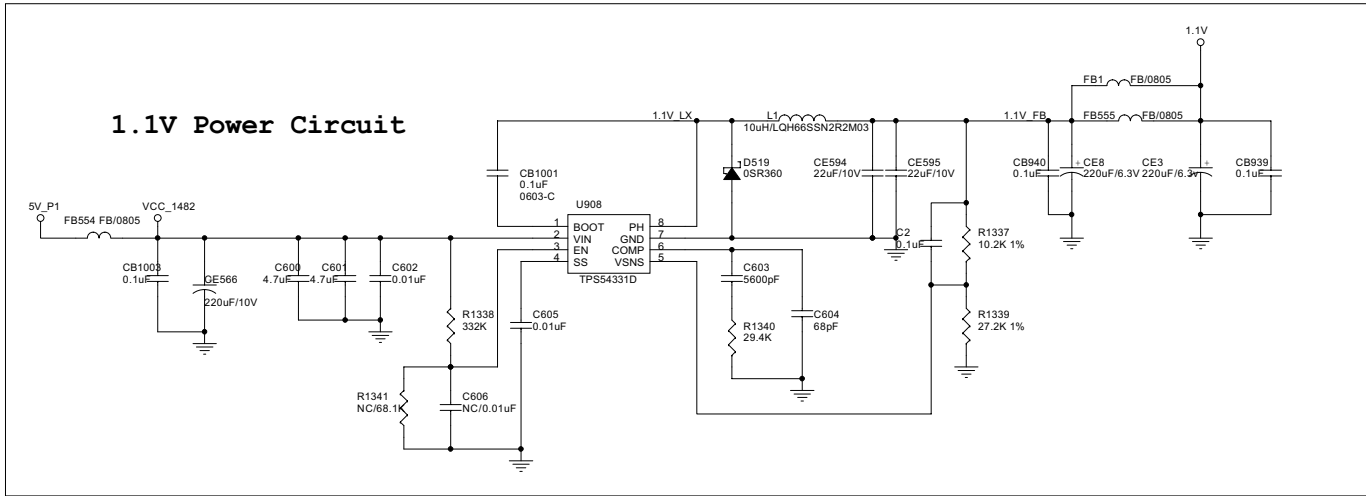
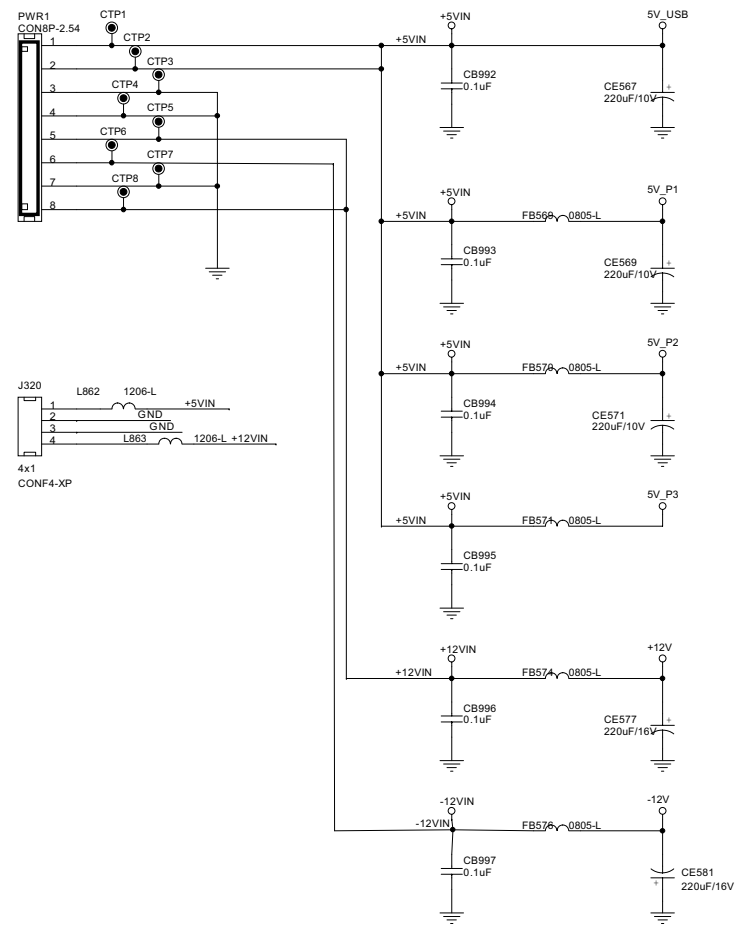
4

A B C D E

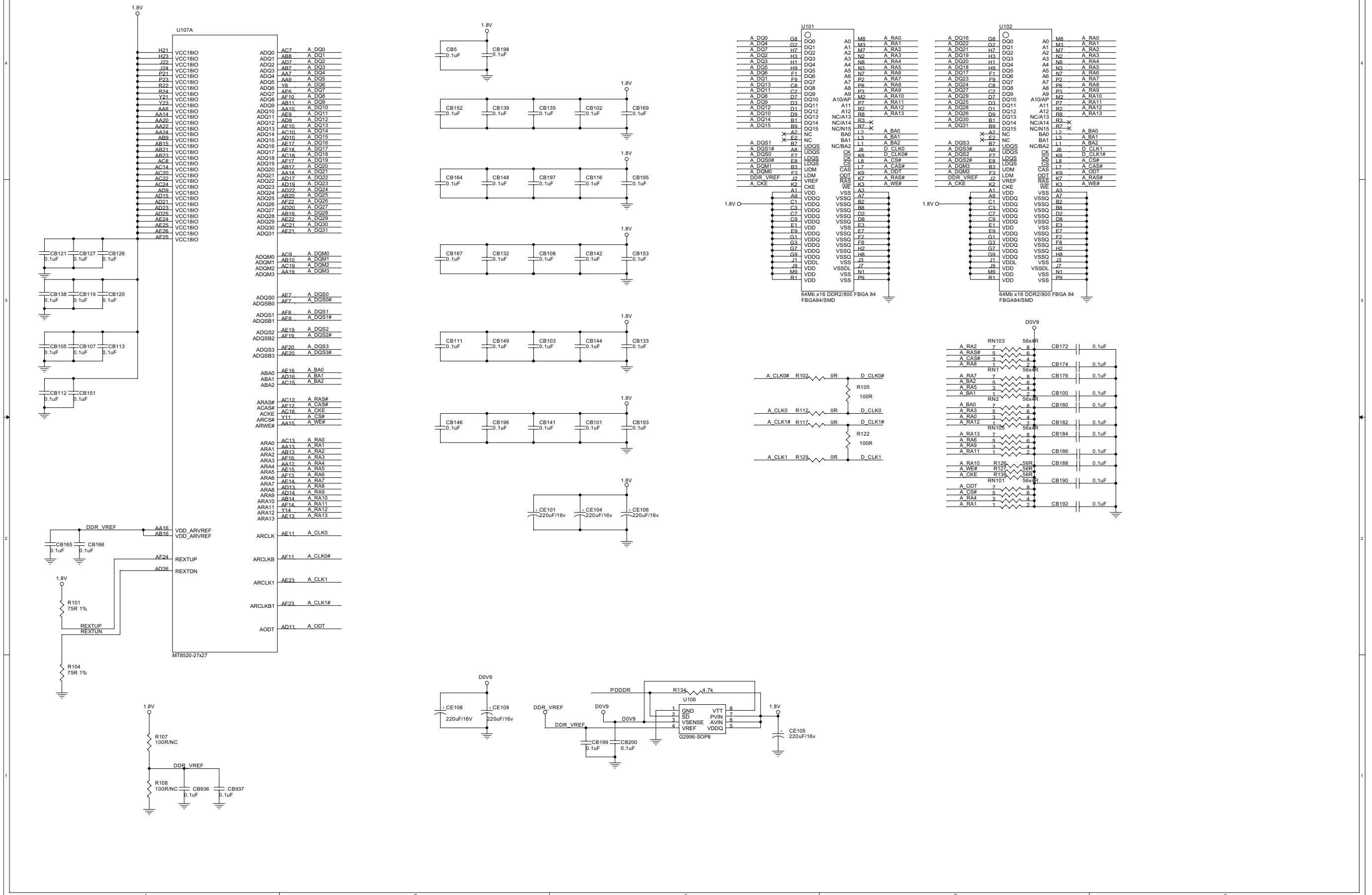




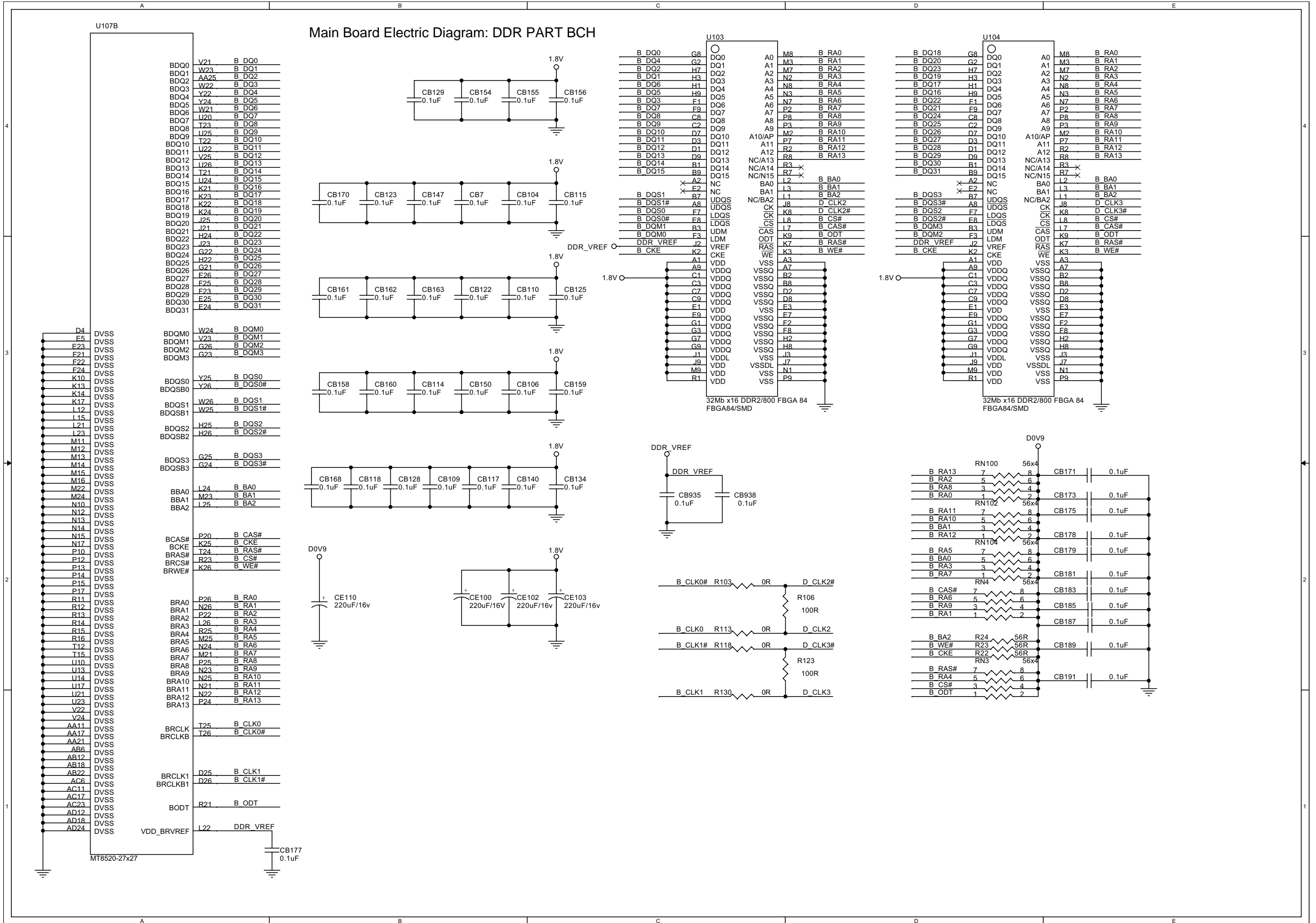
### Main Board Electric Diagram: Power



### Main Board Electric Diagram: DDR PART ACH



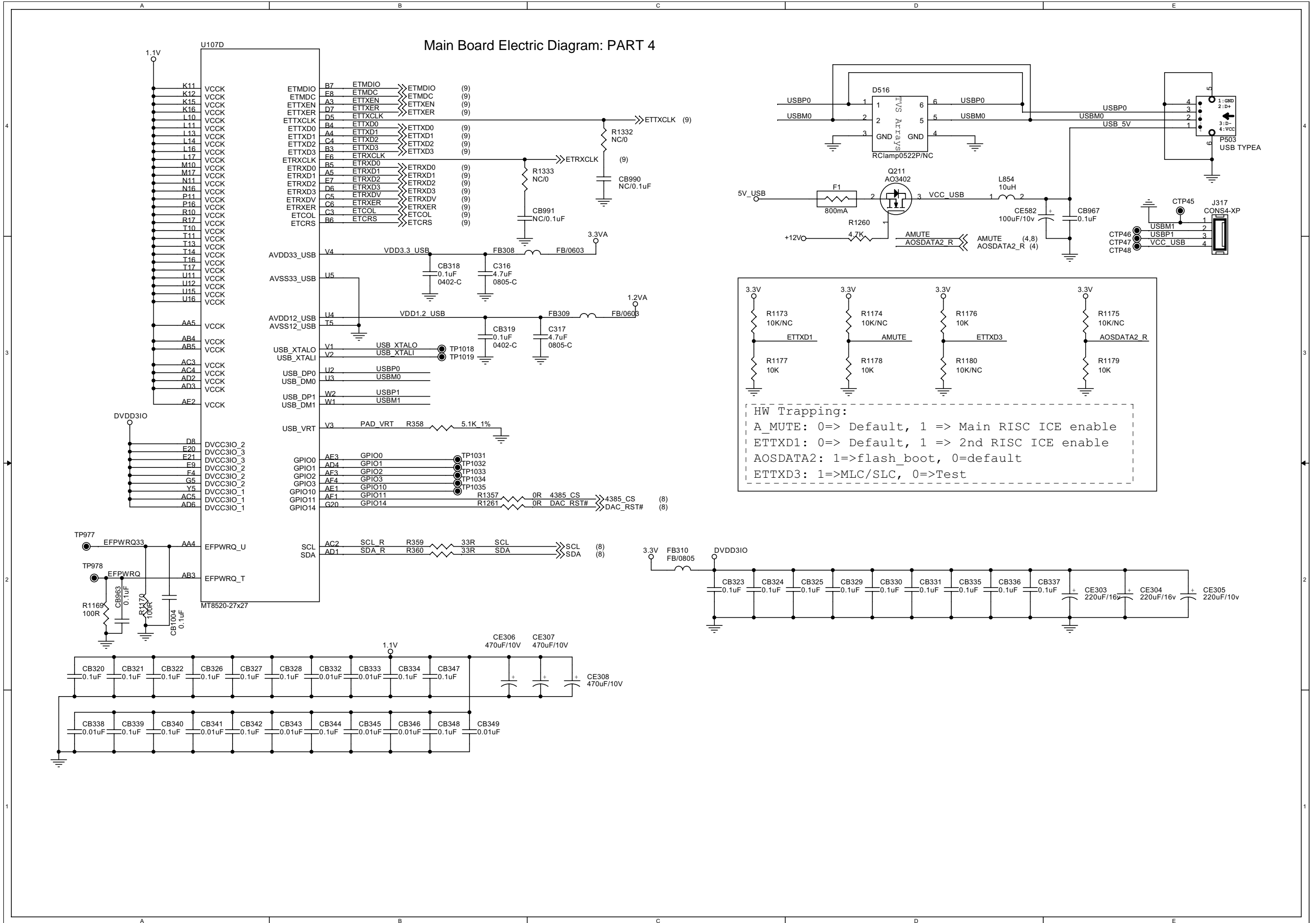
### Main Board Electric Diagram: DDR PART BCH



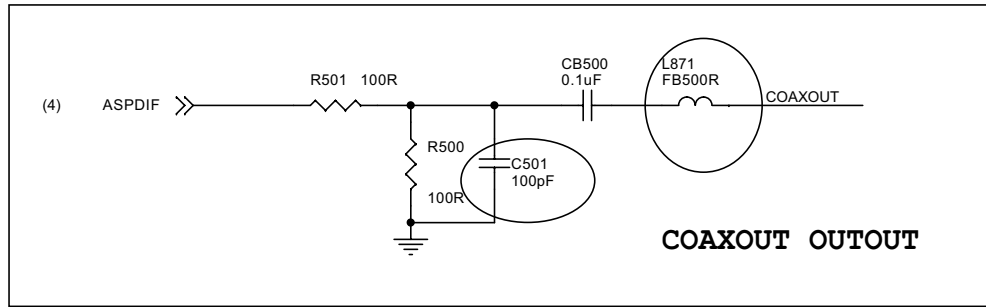




### Main Board Electric Diagram: PART 4

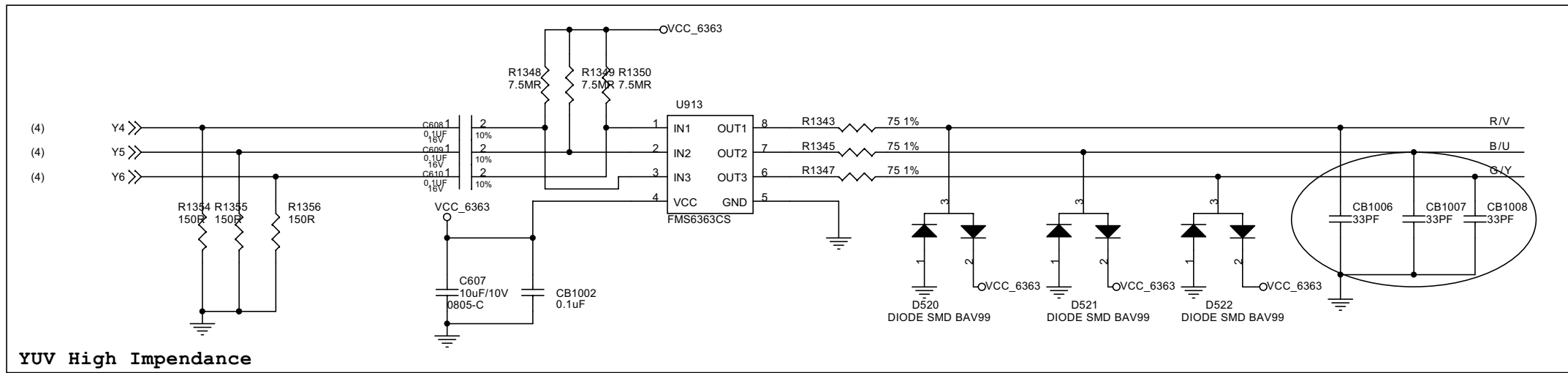
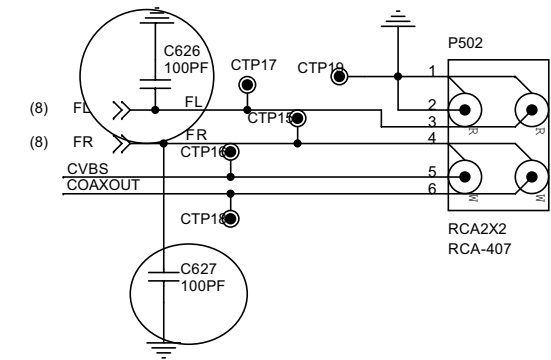
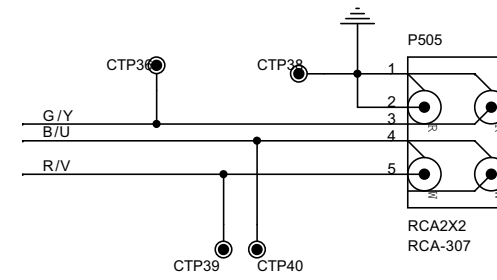
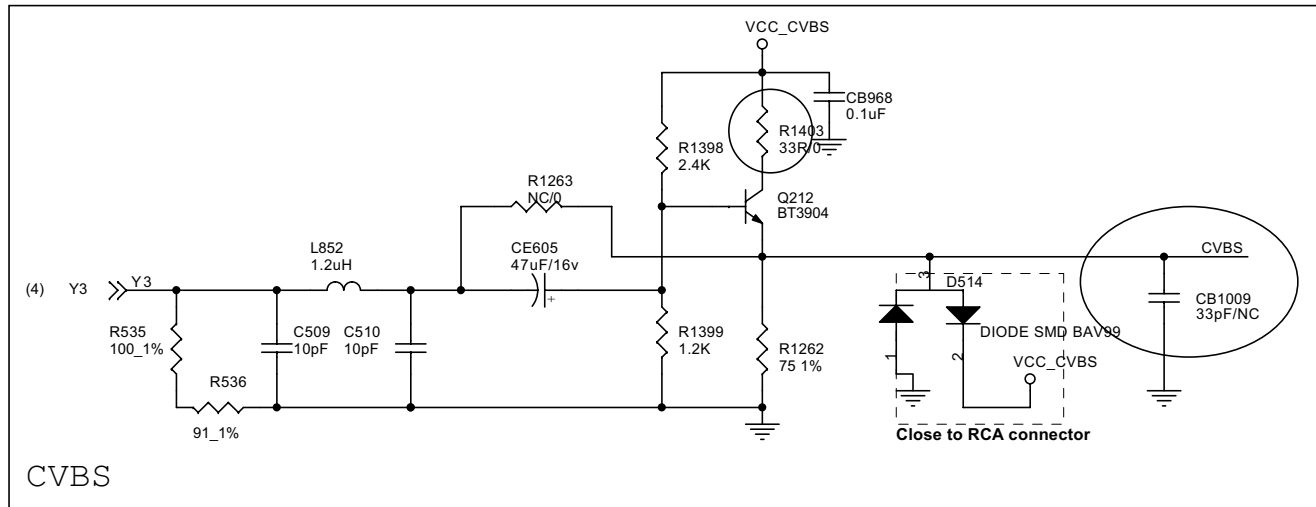


Main Board Electric Diagram: VIDEO OUTPUT & SPDIF OUTPUT



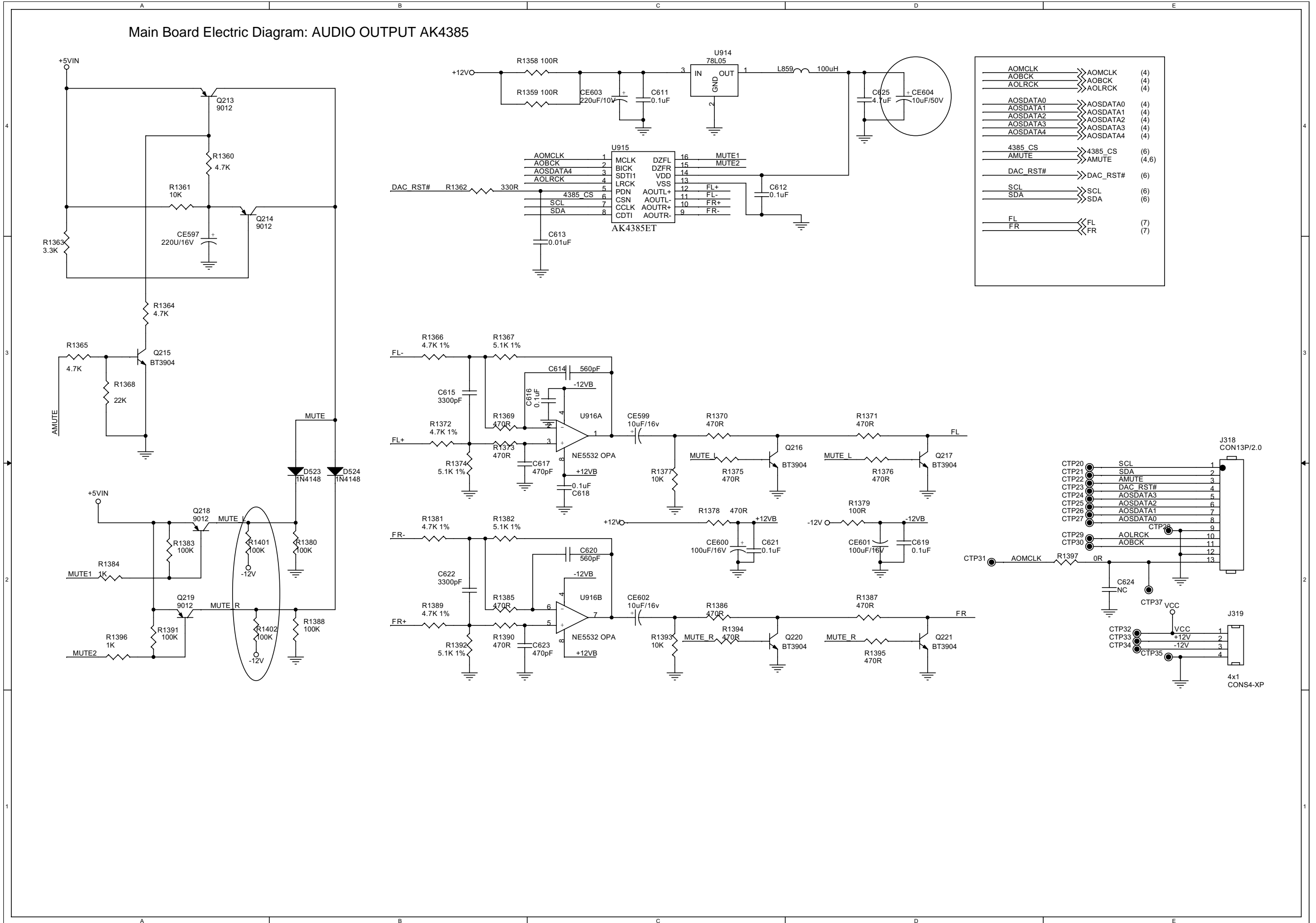
**Low Impedance 箆ow Impedance circuit with Real Line**  
**Hight Impedance: Hight Impedance circuit with Broken Line**

**Related PCB is match to SCH, but no hight Impedance circuit in Broken Line**

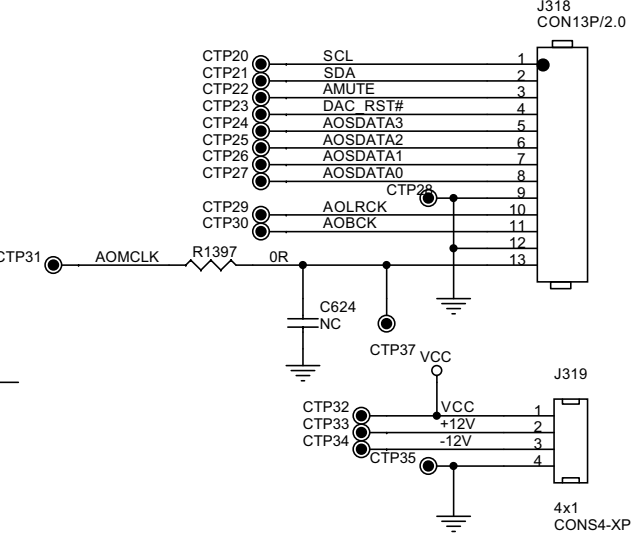




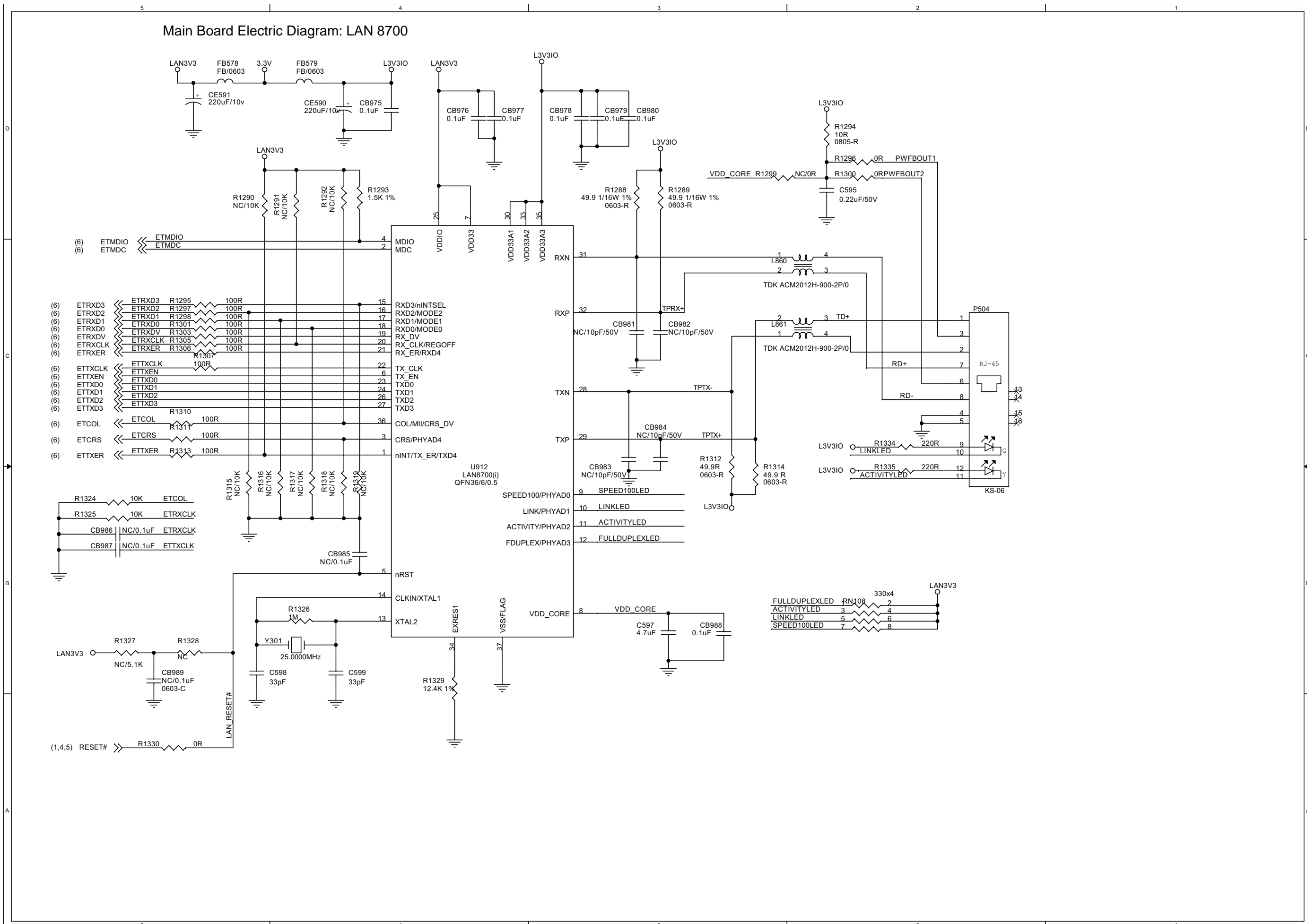
Main Board Electric Diagram: AUDIO OUTPUT AK4385



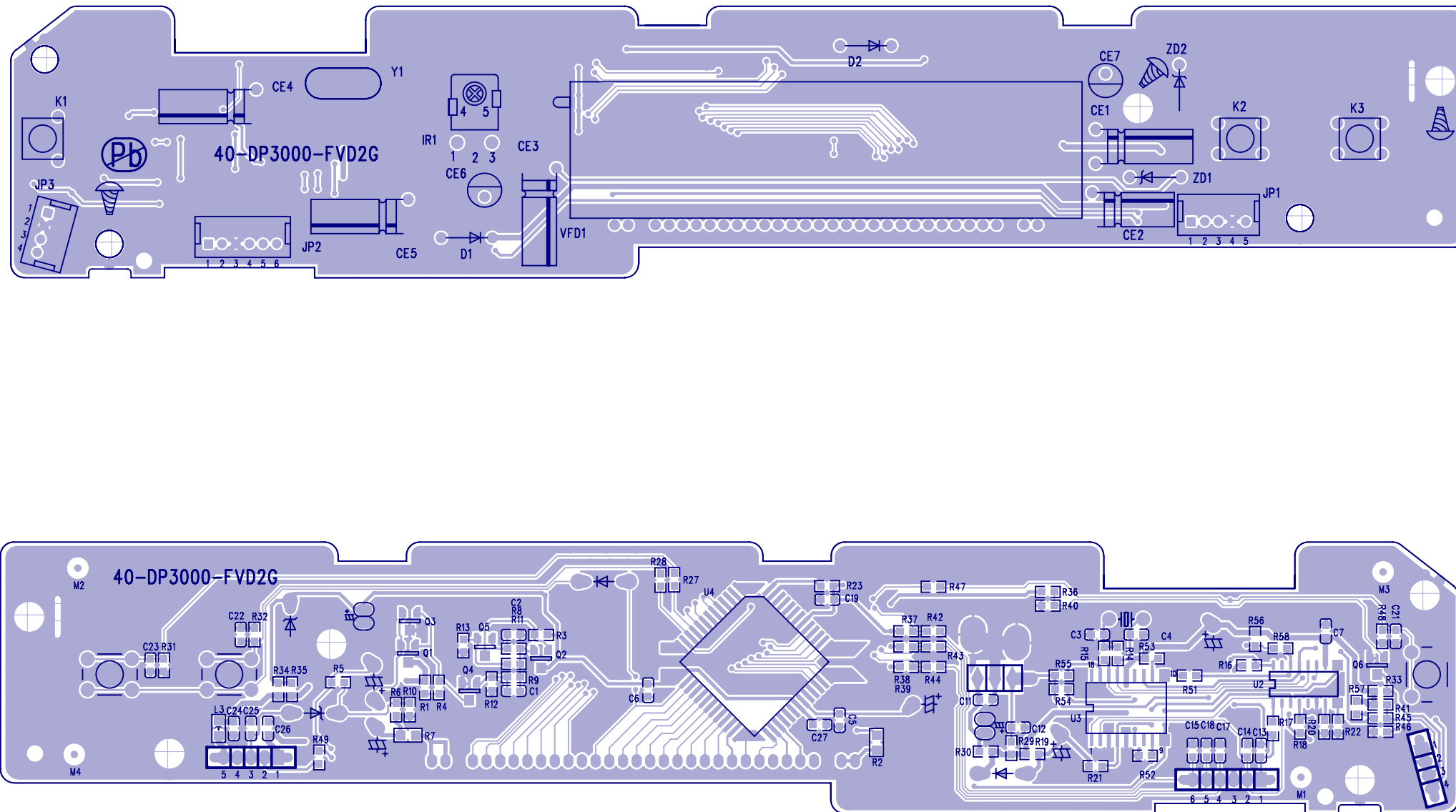
AOMCLK	>>> AOMCLK	(4)
AOBCK	>>> AOBCK	(4)
AOLRCK	>>> AOLRCK	(4)
AOSDATA0	>>> AOSDATA0	(4)
AOSDATA1	>>> AOSDATA1	(4)
AOSDATA2	>>> AOSDATA2	(4)
AOSDATA3	>>> AOSDATA3	(4)
AOSDATA4	>>> AOSDATA4	(4)
4385_CS	>>> 4385_CS	(6)
AMUTE	>>> AMUTE	(4,6)
DAC_RST#	>>> DAC_RST#	(6)
SCL	>>> SCL	(6)
SDA	>>> SDA	(6)
FL	>>> FL	(7)
FR	>>> FR	(7)



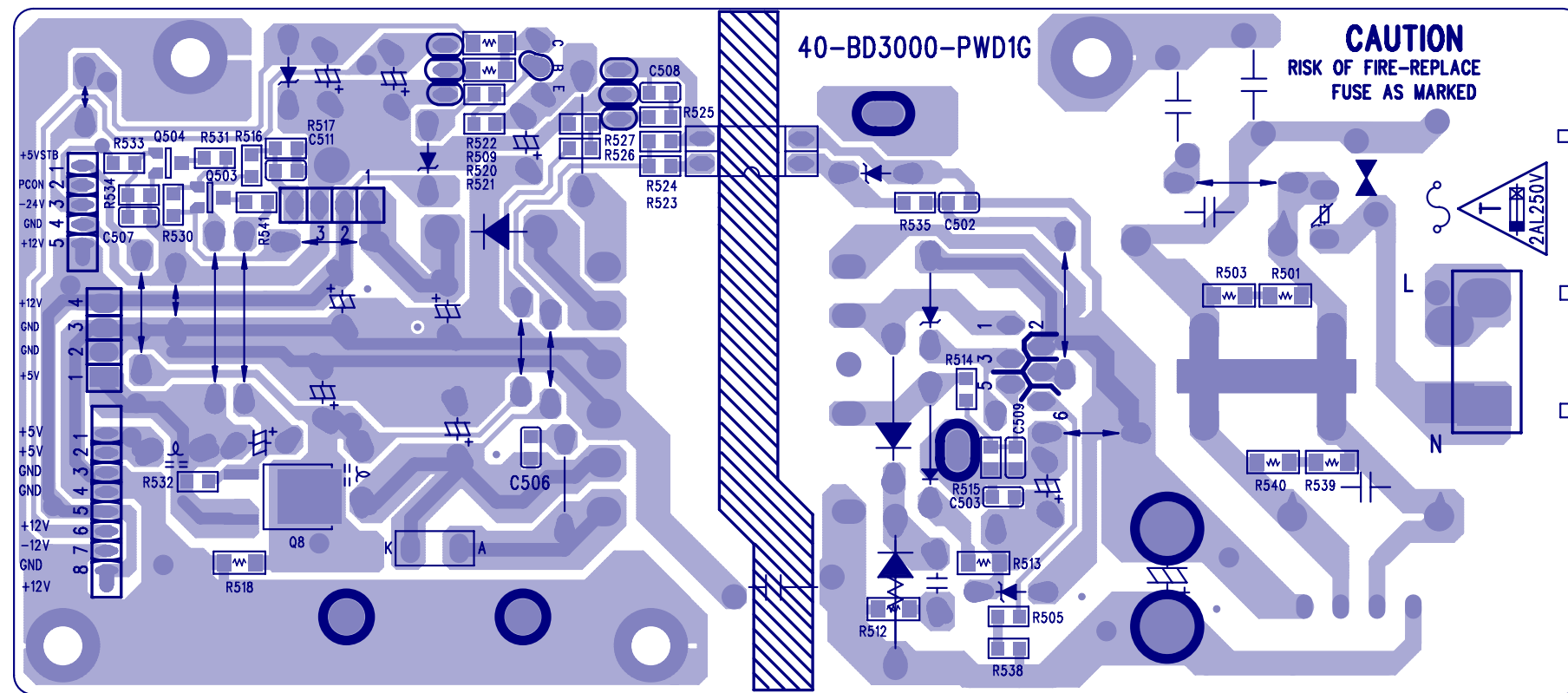
### Main Board Electric Diagram: LAN 8700



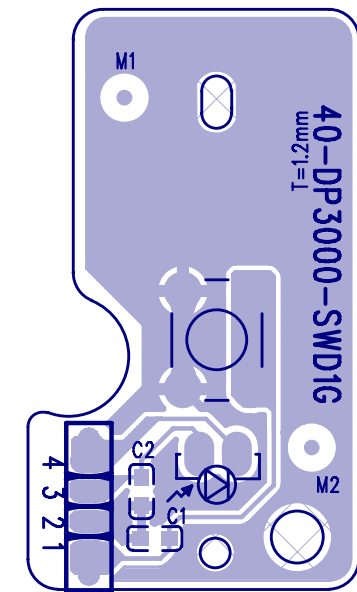
Front Board Print-layout (Top and Bottom side):



Power Board Print-layout (Bottom side):

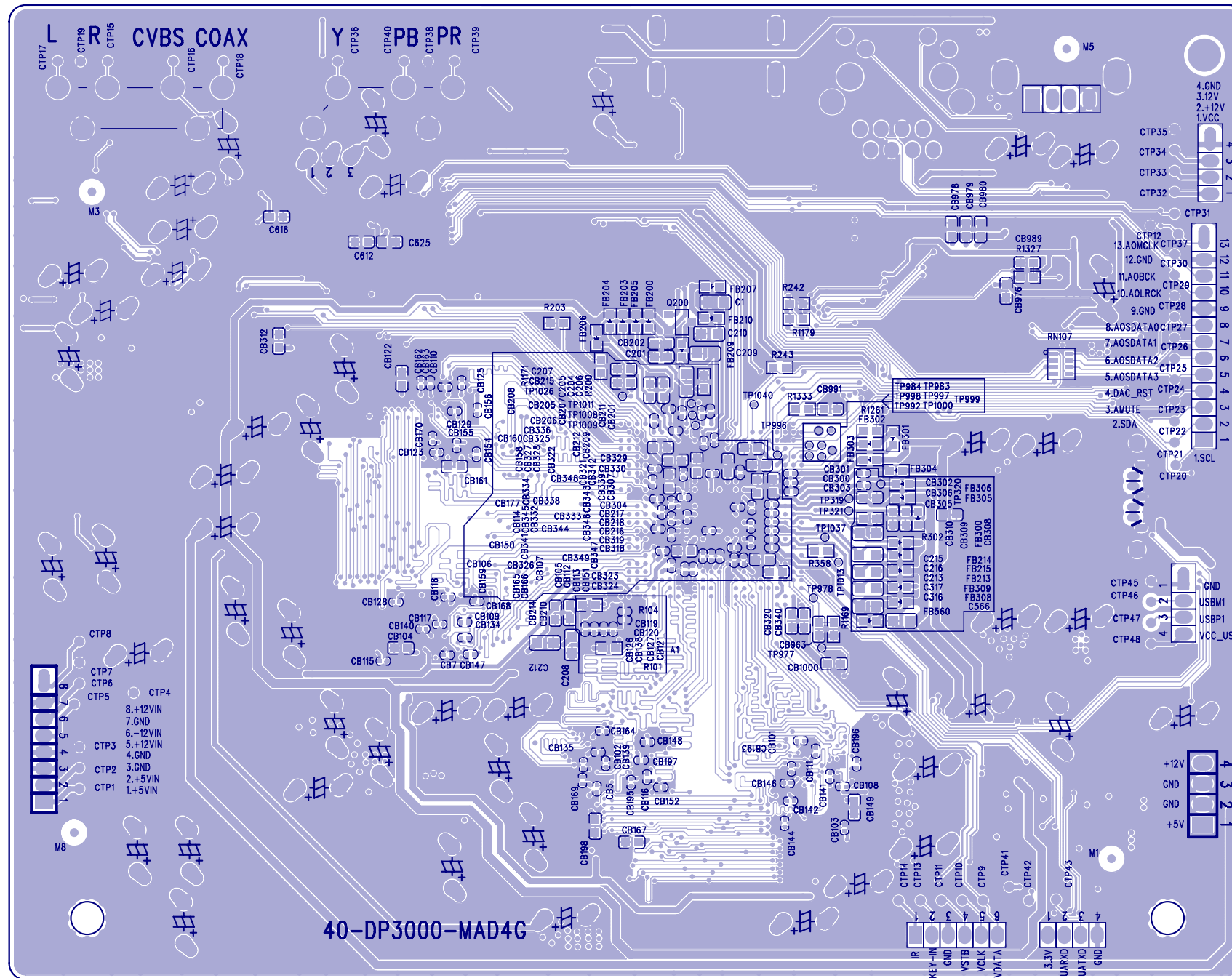


Switch Board Print-layout (Bottom side):





Main Board Print-layout (Bottom side):








**PARTS LIST: BDP3000/12**

No.	12NC No.	Description	Q'ty
1	996510025851	CD DOOR	1
△ 11	996510025845	ASSY-PW BOARD	1
14	996510025835	BACK PLATE	1
15	996510025839	ASSY-MAIN BOARD	1
18	996510025849	TOP COVER	1
△ 20	996510025832	BLU-RAY DISC MODULE	1
21	996510025842	ASSY-SW BOARD	1
6	996510025843	ASSY-FE BOARD	1
9	996510025846	BOTTOM PLATE	1
△ AVCABLE	996500020384	AUDIO/VIDEO CABLE 1	1
Assy1	996510025838	ASSY-FRONT PANEL	1
CN504	996510025841	8P CABLE SAN-8P P2.0 L130	1
J303	996510025852	4PIN CABLE TJC3-4Y*2	1
JP1	996510025834	CABLE 5P 130MM FH-JC20	1
JP2	996510025847	CABLE 6P 120MM FH-JC20	1
JP3	996510025844	4P CABLE 180MM	1
PAD	996510025837	SPONGE PAD	4
△ POWERCORD	996510001537	POWER CORD	1
RC	996510025848	REMOTE CONTROL	1
SATALINE	996510025836	HD TRANSMISSION LINE	1
SHIELDBOARD	996510025833	SHIELD BOARD	1

**Screws List**

No	12NC No.	Description	Q'ty
8	—	S/T SCREW B 2.6 X 6 BF	6
10	—	TRIANGLE M/C SCREW B 3 X 6	6
12	—	S/T SCREW B 3 X 8 BF	4
13	—	M/C SCREW 3 X 6 B	1
16	—	S/T SCREW B3 X 6 BF	7
17	—	S/T SCREW B3 X 6 BF	2
19	—	S/T SCREW B 3 X 7 BF	4

**SAFETY PRECAUTION**

The parts identified by  mark are critical for safety. Replace only with part number specified.

The mounting position of replacement is to be identical with originals. The substitute replacement parts which do not have the sam



## 8-2B

### **PARTS LIST: BDP3000/05**

No.	12NC No.	Description	Q'ty
⚠ 11	996510025845	ASSY-PW BOARD	1
14	996510025835	BACK PLATE	1
15	996510025839	ASSY-MAIN BOARD	1
18	996510026145	TOP COVER	1
20	996510025832	BLU-RAY DISC MODULE	1
21	996510025842	ASSY-SW BOARD	1
6	996510025843	ASSY-FE BOARD	1
⚠ 9	996510025846	BOTTOM PLATE	1
AVCABLE	996500020384	AUDIO/VIDEO CABLE 1.5M	1
Assy1	996510025838	ASSY-FRONT PANEL	1
CN504	996510025841	8P CABLE SAN-8P P2.0 L130	1
DBOX	996510026146	DISPLAY BOX	1
J303	996510025836	HD TRANSMISSION LINE	1
JP1	996510025834	CABLE 5P 130MM FH-JC20	1
JP2	996510025847	CABLE 6P 120MM FH-JC20	1
JP3	996510025844	4P CABLE 180MM	1
PAD	996510025837	SPONGE PAD	4
⚠ POWERCORD	996510026331	POWER CORD	1
⚠ PWRSKT	996510026144	POWER SUPPLY SOCKET	1
RC	996510025848	REMOTE CONTROL	1
TWISTTIE	996510026143	TWIST TIE NY66	1

### **Screws List**

No	12NC No.	Description	Q'ty
8	—	S/T SCREW B 2.6 X 6 BF	6
10	—	TRIANGLE M/C SCREW B 3 X 6	6
12	—	S/T SCREW B 3 X 8 BF	4
13	—	M/C SCREW 3 X 6 B	1
16	—	S/T SCREW B3 X 6 BF	7
17	—	S/T SCREW B3 X 6 BF	2
19	—	S/T SCREW B 3 X 7 BF	4

#### **SAFETY PRECAUTION**

The parts identified by  mark are critical for safety. Replace only with part number specified.

The mounting position of replacement is to be identical with originals. The substitute replacement parts which do not have the sam


**PARTS LIST: BDP3000/51**

No.	12NC No.	Description	Q'ty
1	996510025851	CD DOOR	1
⚠ 11	996510025845	ASSY-PW BOARD	1
14	996510025835	BACK PLATE	1
15	996510025839	ASSY-MAIN BOARD	1
18	996510025849	TOP COVER	1
⚠ 20	996510025832	BLU-RAY DISC MODULE	1
21	996510025842	ASSY-SW BOARD	1
6	996510025843	ASSY-FE BOARD	1
9	996510025846	BOTTOM PLATE	1
⚠ AVCABLE	996500020384	AUDIO/VIDEO CABLE 1	1
Assy1	996510025838	ASSY-FRONT PANEL	1
CN504	996510025841	8P CABLE SAN-8P P2.0 L130	1
J303	996510025852	4PIN CABLE TJC3-4Y*2	1
JP1	996510025834	CABLE 5P 130MM FH-JC20	1
JP2	996510025847	CABLE 6P 120MM FH-JC20	1
JP3	996510025844	4P CABLE 180MM	1
PAD	996510025837	SPONGE PAD	4
⚠ POWERCORD	996510001537	POWER CORD	1
RC	996510025848	REMOTE CONTROL	1
SATALINE	996510025836	HD TRANSMISSION LINE	1
SHIELDBOARD	996510025833	SHIELD BOARD	1

**Screws List**

No	12NC No.	Description	Q'ty
8	—	S/T SCREW B 2.6 X 6 BF	6
10	—	TRIANGLE M/C SCREW B 3 X 6	6
12	—	S/T SCREW B 3 X 8 BF	4
13	—	M/C SCREW 3 X 6 B	1
16	—	S/T SCREW B3 X 6 BF	7
17	—	S/T SCREW B3 X 6 BF	2
19	—	S/T SCREW B 3 X 7 BF	4

**SAFETY PRECAUTION**

The parts identified by  mark are critical for safety. Replace only with part number specified.

The mounting position of replacement is to be identical with originals. The substitute replacement parts which do not have the sam

## REVISION LIST

### Version 1.0

\* Initial release for BDP3000/12 & BDP3000/05

### Version 1.1

\* Adding BDP3000/51

### Version 1.2

\* Correction:

20 996510025832 BLU-RAY DISC MODULE (was ASA BOARD P021-C)